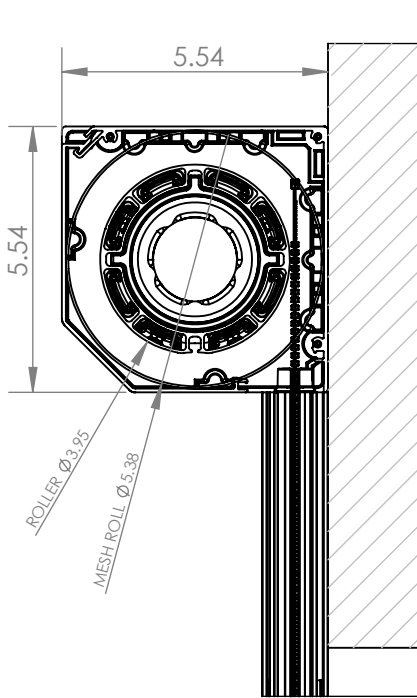
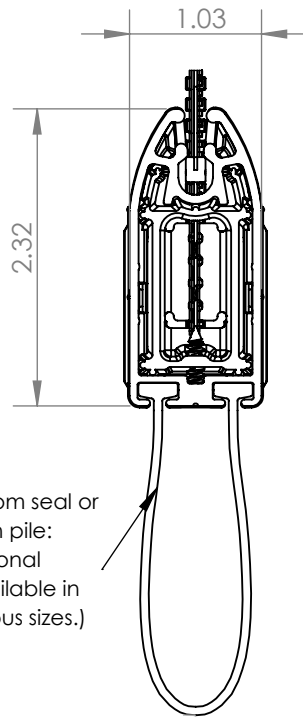


Motorized Retractable Screen 5.5" Housing with Recessed Track

B

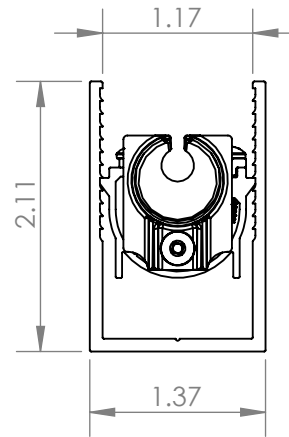


5.5" HOUSING ASSY
SECTION VIEW
SCALE 1:4



Bottom seal or
Brush pile:
Optional
(Available in
various sizes.)

SLIDEBAR ASSY
SECTION VIEW
SCALE 1:1.5



RECESSED TRACK ASSY
TOP VIEW
SCALE 1:1.5

5.5" HOUSING ASSY

RECESSED TRACK ASSY

FABRIC

SLIDEBAR ASSY

SCALE 1:12

B

A

A

Note:

Order includes housing assy, slidebar assy, track assys, and fabric only; all other parts to be ordered separately as required.

PROPRIETARY AND CONFIDENTIAL

THE INFORMATION CONTAINED IN THIS DRAWING IS THE SOLE PROPERTY OF PHANTOM SCREENS. REPRODUCTION IN PART OR AS A WHOLE WITHOUT THE WRITTEN PERMISSION OF PHANTOM SCREENS IS PROHIBITED.



UNLESS OTHERWISE SPECIFIED:

DIMENSIONS ARE IN INCHES.
TOLERANCES:
FRACTIONAL $\pm 1/32$
ANGULAR ± 2
TWO PLACE DECIMAL $\pm .013$ "
THREE PLACE DECIMAL $\pm .005$ "

STANDARD TOLERANCES APPLY UNLESS OTHERWISE SPECIFIED

INTERPRET GEOMETRIC TOLERANCING PER: ASME Y14.5
THIRD ANGLE PROJECTION

MATERIAL

ASSY

DRAWN	SA	2026-04-08
CHECKED	PP	2026-04-08
ENG APPR.	PP	2026-04-08
MFG APPR.		
Q.A.		

TITLE: Mz, 5.5in Housing, Recessed Track

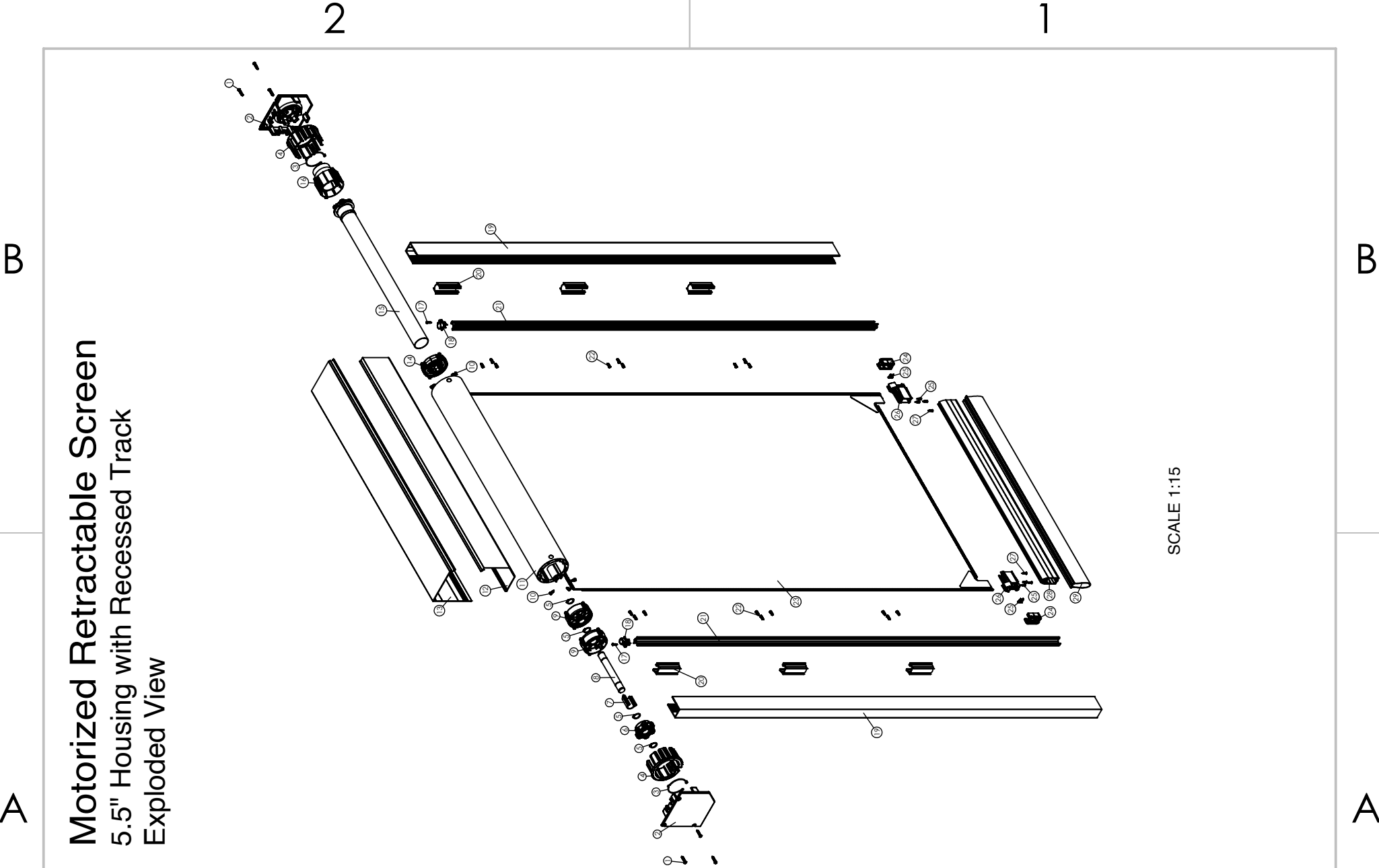
SIZE **A** DWG. NO. EPN511 REV 1

SCALE: 1:12 WEIGHT: SHEET 1 OF 8

2

1

DOCUMENT NO. XXXXX-XX-XXX




Motorized Retractable Screen
5.5" Housing with Recessed Track
Exploded View

SCALE 1:15

PROPRIETARY AND CONFIDENTIAL

THE INFORMATION CONTAINED IN THIS DRAWING IS THE SOLE PROPERTY OF PHANTOM SCREENS. REPRODUCTION IN PART OR AS A WHOLE WITHOUT THE WRITTEN PERMISSION OF PHANTOM SCREENS IS PROHIBITED.



PHANTOM
SCREENS

UNLESS OTHERWISE SPECIFIED:

DIMENSIONS ARE IN INCHES.
 TOLERANCES:
 FRACTIONAL $\pm 1/32$
 ANGULAR ± 2
 TWO PLACE DECIMAL $\pm .013$ "
 THREE PLACE DECIMAL $\pm .005$ "

STANDARD TOLERANCES APPLY UNLESS OTHERWISE SPECIFIED

INTERPRET GEOMETRIC TOLERANCING PER: ASME Y14.5
 THIRD ANGLE PROJECTION

MATERIAL
 ASSY

DRAWN	SA	2026-04-08
CHECKED	PP	2026-04-08
ENG APPR.	PP	2026-04-08
MFG APPR.		
Q.A.		

TITLE: Mz, 5.5in Housing, Recessed Track	
SIZE A	REV 1
DWG. NO. EPN511	
SCALE: 1:12	WEIGHT:
SHEET 2 OF 8	

A

B

Motorized Retractable Screen 5.5" Housing with Recessed Track BOM Table

NO.	DESCRIPTION	QTY
1	71039 #8-1" Rounded Head Screw (Color matched)	6
2	68025 Mz2.0 End Cap 5.5"	2
3	46009 Mz Retaining Clip	2
4	46610 Mz Leveling Ring 4"	2
5	EPN214 External Retaining Ring	4
6	EPN3 Mz2.0 Pivot Head .75	1
7	EPN211 Mz Pivot Spacer	1
8	EPN7 Mz2.0 Pivot Shaft	1
9	EPN2 Mz2.0 Pivot Bearing	2
10	71021 #8-0.5" Hex Head Drilling Screw	8
11	46005 Mz2.0 Roller Bar 4"	1
12	EPN365 Housing Cover, 5.5"	1
13	EPN355 Hsg, 1-Pc Back-Top, 5.5"	1
14	EPN4 Mz2.0 Motor Drive Ring	1
15	67235 Somfy Motor, 525A2 Maestria RTS	1
16	EPN5 Mz2.0 Motor Encoder Ring	1
17	90203A510 #6-5/8" Rounded Head Drilling Screw	2
18	68124 Motorized Entry Guide, Recessed	2
19	46002 Recessed U-Channel	2
20	46055 Recessed Track Clip	-
21	46056 Recessed track	2
22	90087A.148 Rounded Head Thread-Cutting Screws for Metal	-
23	EPN437 Sure Fit Mesh	1
24	EPN161 Slidebar Endcap Cover	2
25	71027 #6-1/2" Rounded Head Screw	8
26	EPN160 Slidebar Endcap Main	2
27	71135 #6-5/8" Flat Head Screw	4
28	EPN199 Slidebar-w-Stopper	1
29	Brush pile or bottom gasket (available in various sizes)	1

A

B

PROPRIETARY AND CONFIDENTIAL

THE INFORMATION CONTAINED IN THIS DRAWING IS THE SOLE PROPERTY OF PHANTOM SCREENS. REPRODUCTION IN PART OR AS A WHOLE WITHOUT THE WRITTEN PERMISSION OF PHANTOM SCREENS IS PROHIBITED.



PHANTOM
SCREENS

UNLESS OTHERWISE SPECIFIED:

DIMENSIONS ARE IN INCHES.
TOLERANCES:
FRACTIONAL $\pm 1/32$
ANGULAR ± 2
TWO PLACE DECIMAL $\pm .013$ "
THREE PLACE DECIMAL $\pm .005$ "

STANDARD TOLERANCES APPLY UNLESS OTHERWISE SPECIFIED

INTERPRET GEOMETRIC TOLERANCING PER: ASME Y14.5
THIRD ANGLE PROJECTION

MATERIAL

ASSY

DRAWN

SA

2026-04-08

CHECKED

PP

2026-04-08

ENG APPR.

PP

2026-04-08

MFG APPR.

Q.A.

TITLE: Mz, 5.5in Housing, Recessed Track

SIZE

A

DWG. NO.

EPN511

REV

1

SCALE: 1:12

WEIGHT:

SHEET 3 OF 8

2

1

DOCUMENT NO. XXXXX-XX-XXX

2

1

Motorized Retractable Screen

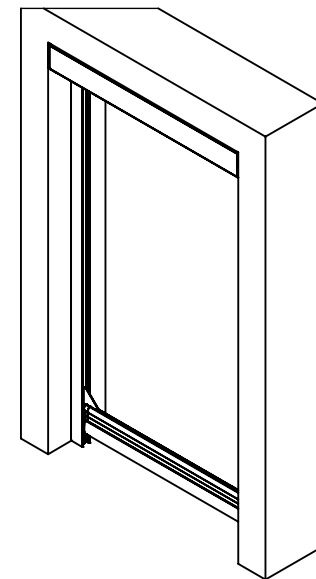
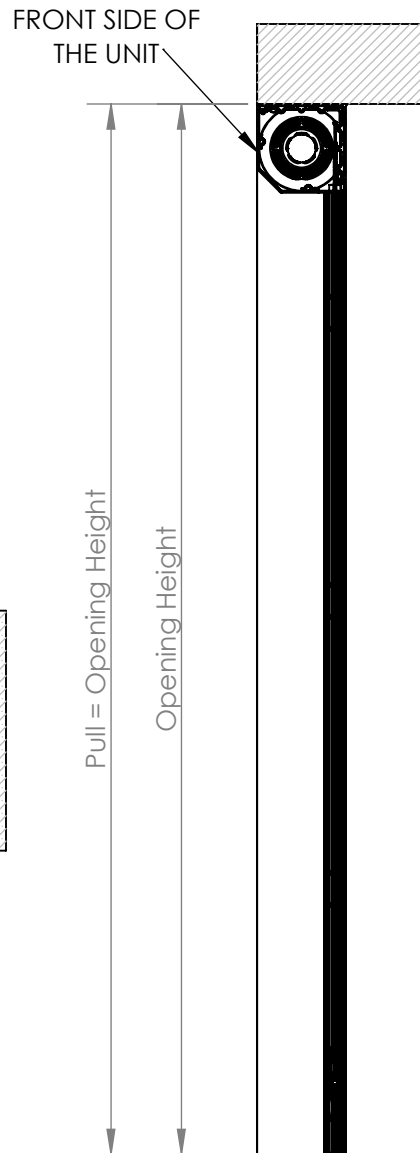
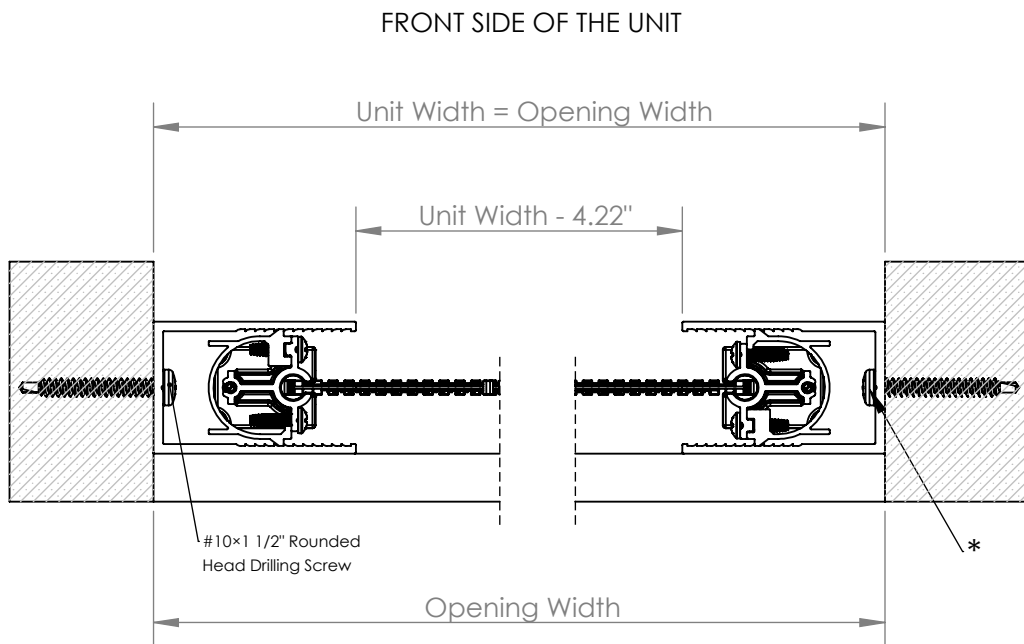
5.5" Housing with Recessed Track

Housing and Tracks: In-Jamb

Tracks Mounted on Back (*)

B

B



SCALE 1:25

Note:

- Screen unit height can be reduced by cutting the tracks on site.
- Screen unit width is fixed and must be accurate when ordering.

A

A

PROPRIETARY AND CONFIDENTIAL THE INFORMATION CONTAINED IN THIS DRAWING IS THE SOLE PROPERTY OF PHANTOM SCREENS. REPRODUCTION IN PART OR AS A WHOLE WITHOUT THE WRITTEN PERMISSION OF PHANTOM SCREENS IS PROHIBITED.		UNLESS OTHERWISE SPECIFIED: DIMENSIONS ARE IN INCHES. TOLERANCES: FRACTIONAL ± 1/32 ANGULAR ± 2 TWO PLACE DECIMAL ± .013" THREE PLACE DECIMAL ± .005"		STANDARD TOLERANCES APPLY UNLESS OTHERWISE SPECIFIED INTERPRET GEOMETRIC TOLERANCING PER: ASME Y14.5 THIRD ANGLE PROJECTION		DRAWN SA 2026-04-08 CHECKED PP 2026-04-08 ENG APPR. PP 2026-04-08 MFG APPR. Q.A.		TITLE: Mz, 5.5in Housing, Recessed Track SIZE A DWG. NO. EPN511 REV 1 SCALE: 1:12 WEIGHT: SHEET 4 OF 8		
		MATERIAL ASSY								

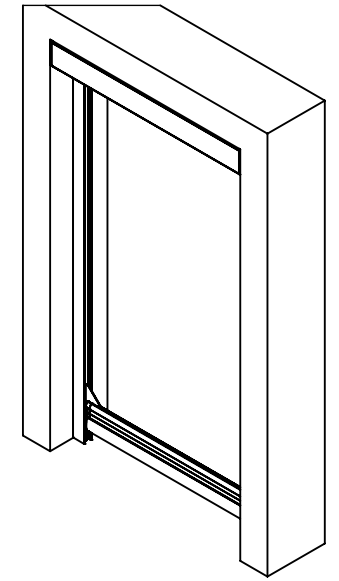
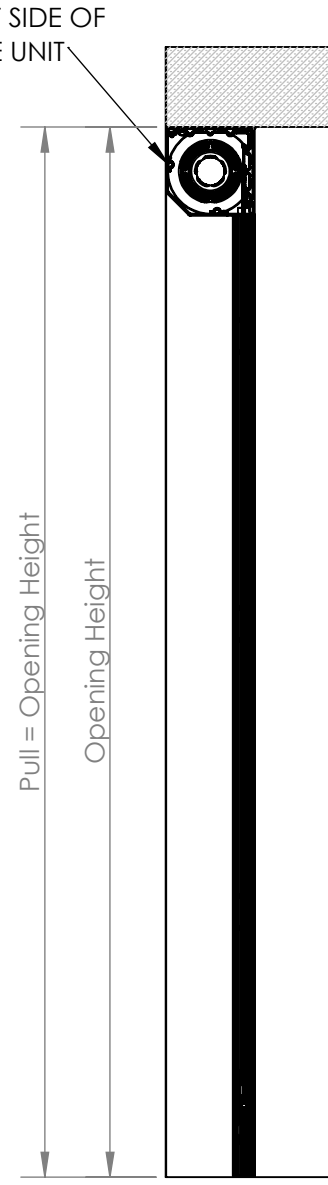
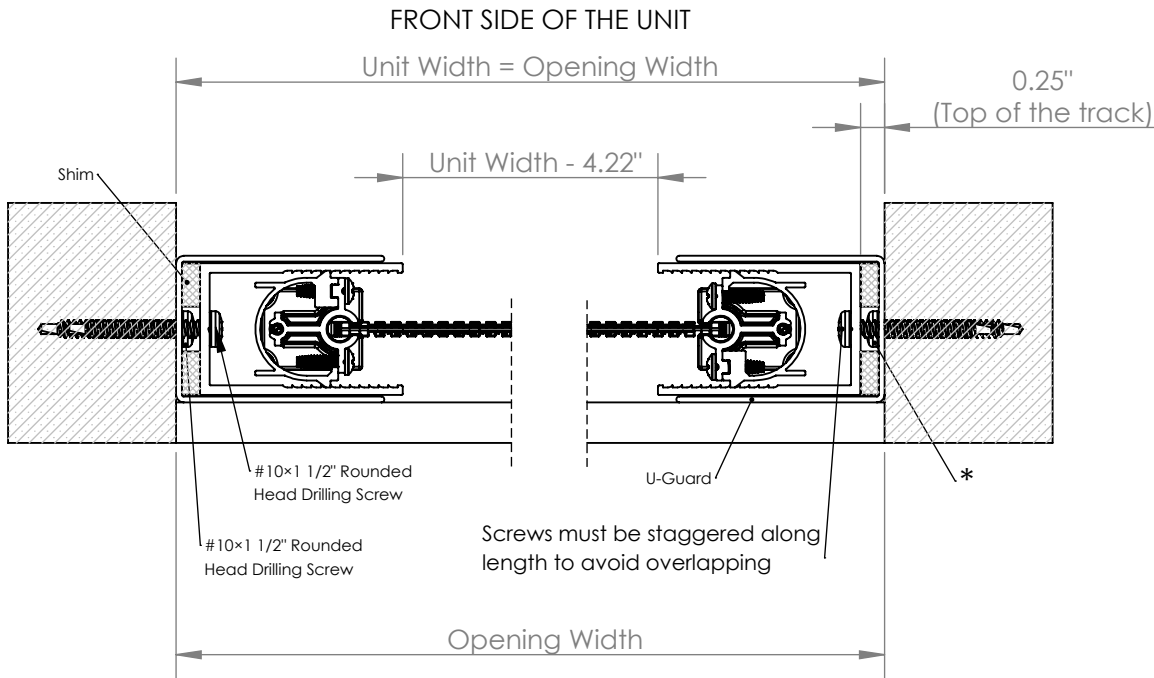
2

1

Motorized Retractable Screen

5.5" Housing with Recessed Track
 Housing and Tracks: In-Jamb
 U-Guard Used for Adjustment on Unparallel Posts
 Tracks Mounted on Back (*)

B



B

A

- Note:**
- Screen unit height can be reduced by cutting the tracks on site.
 - Screen unit width is fixed and must be accurate when ordering.

A

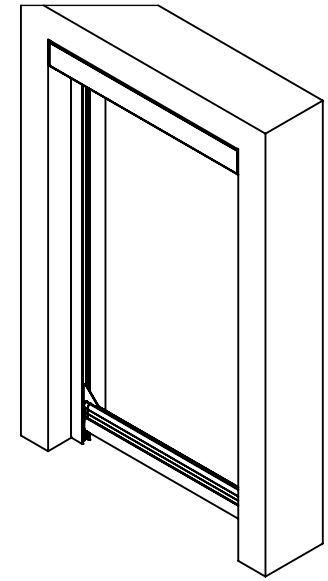
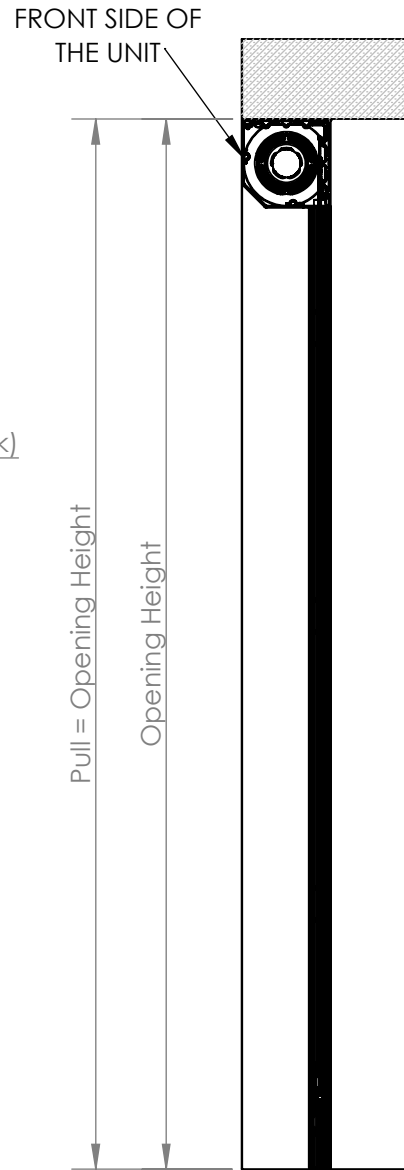
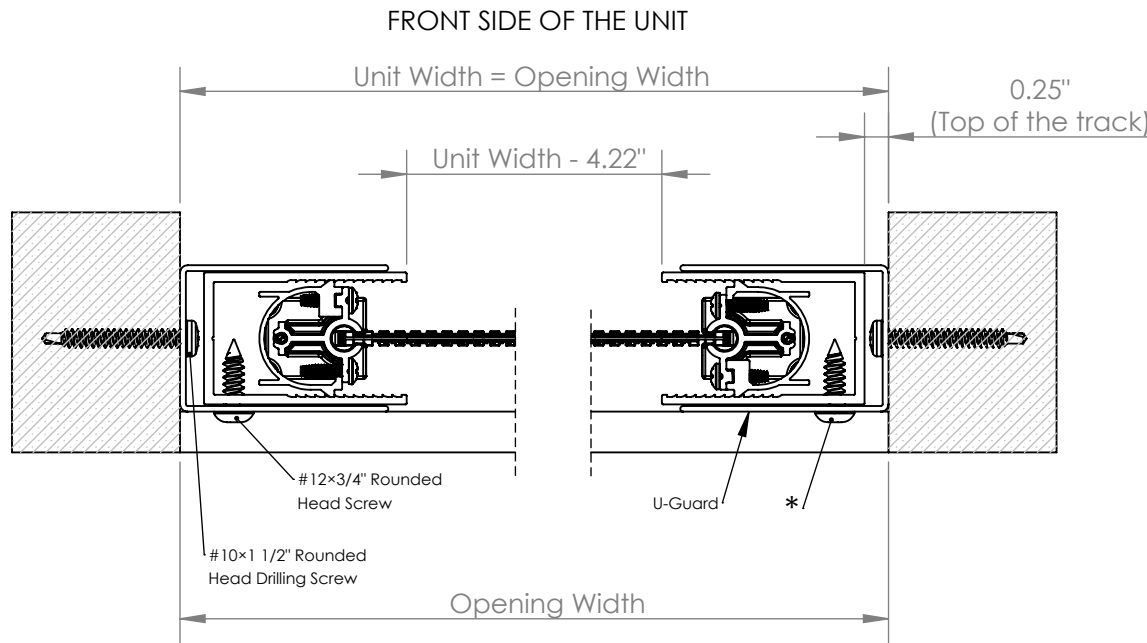
PROPRIETARY AND CONFIDENTIAL THE INFORMATION CONTAINED IN THIS DRAWING IS THE SOLE PROPERTY OF PHANTOM SCREENS. REPRODUCTION IN PART OR AS A WHOLE WITHOUT THE WRITTEN PERMISSION OF PHANTOM SCREENS IS PROHIBITED.		UNLESS OTHERWISE SPECIFIED: DIMENSIONS ARE IN INCHES. TOLERANCES: FRACTIONAL ± 1/32 ANGULAR ± 2 TWO PLACE DECIMAL ± .013" THREE PLACE DECIMAL ± .005"		STANDARD TOLERANCES APPLY UNLESS OTHERWISE SPECIFIED INTERPRET GEOMETRIC TOLERANCING PER: ASME Y14.5 THIRD ANGLE PROJECTION		DRAWN SA 2026-04-08 CHECKED PP 2026-04-08 ENG APPR. PP 2026-04-08 MFG APPR. Q.A.	TITLE: Mz, 5.5in Housing, Recessed Track SIZE A DWG. NO. EPN511 SCALE: 1:12 WEIGHT:		REV 1 SHEET 5 OF 8
		MATERIAL ASSY							

Motorized Retractable Screen

5.5" Housing with Recessed Track
 Housing and Tracks: In-Jamb
 U-Guard Used for Adjustment on Unparallel Posts
 Tracks Mounted on Side (*)

B

B



A

A

- Note:**
- Screen unit height can be reduced by cutting the tracks on site.
 - Screen unit width is fixed and must be accurate when ordering.

PROPRIETARY AND CONFIDENTIAL <small>THE INFORMATION CONTAINED IN THIS DRAWING IS THE SOLE PROPERTY OF PHANTOM SCREENS. REPRODUCTION IN PART OR AS A WHOLE WITHOUT THE WRITTEN PERMISSION OF PHANTOM SCREENS IS PROHIBITED.</small>		UNLESS OTHERWISE SPECIFIED: DIMENSIONS ARE IN INCHES. TOLERANCES: FRACTIONAL ± 1/32 ANGULAR ± 2 TWO PLACE DECIMAL ± .013" THREE PLACE DECIMAL ± .005"		STANDARD TOLERANCES APPLY UNLESS OTHERWISE SPECIFIED INTERPRET GEOMETRIC TOLERANCING PER: ASME Y14.5 THIRD ANGLE PROJECTION		DRAWN SA 2026-04-08 CHECKED PP 2026-04-08 ENG APPR. PP 2026-04-08 MFG APPR. Q.A.		TITLE: Mz, 5.5in Housing, Recessed Track SIZE A DWG. NO. EPN511 REV 1 SCALE: 1:12 WEIGHT: SHEET 6 OF 8		
		MATERIAL ASSY								

Motorized Retractable Screen

5.5" Housing with Recessed Track

Housing and Tracks: In-Jamb

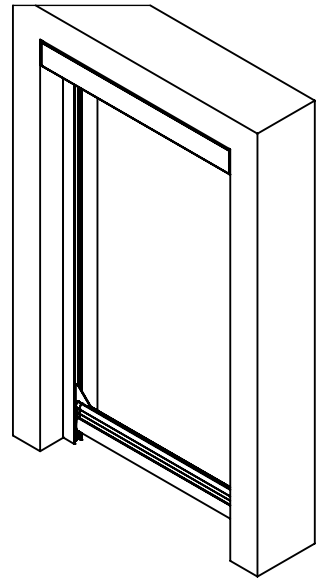
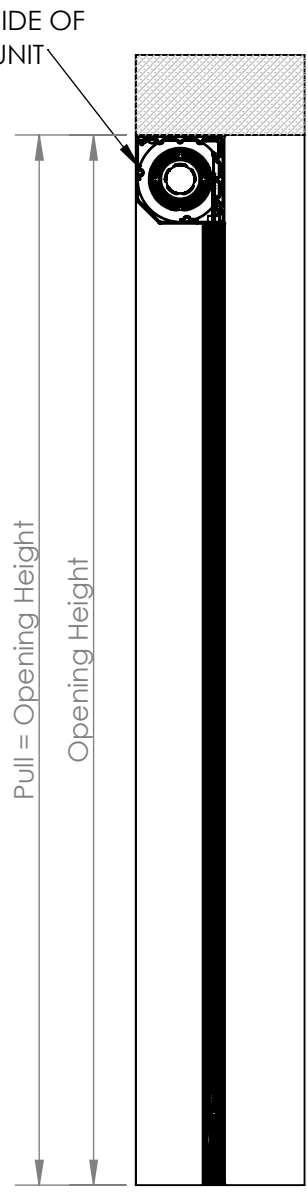
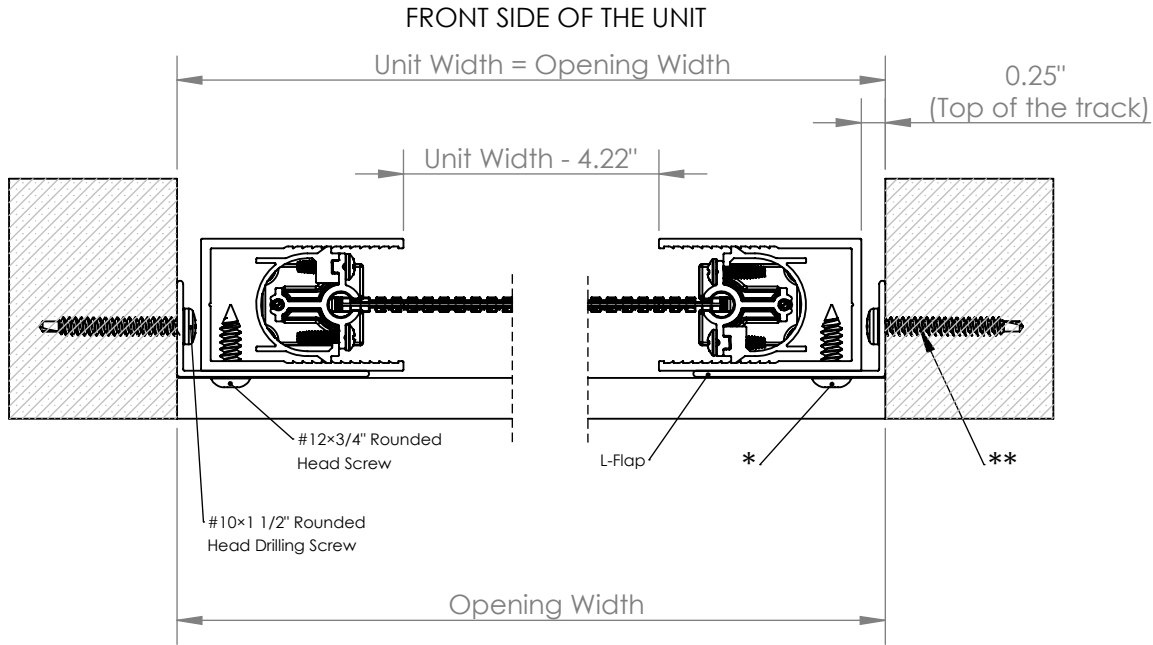
L-Flap Used for Adjustment on Unparallel Posts

Tracks Mounted on Side (*)

L-Flap Mounted behind the Track (**)

B

B



Note:

- Screen unit height can be reduced by cutting the tracks on site.
- Screen unit width is fixed and must be accurate when ordering.

A

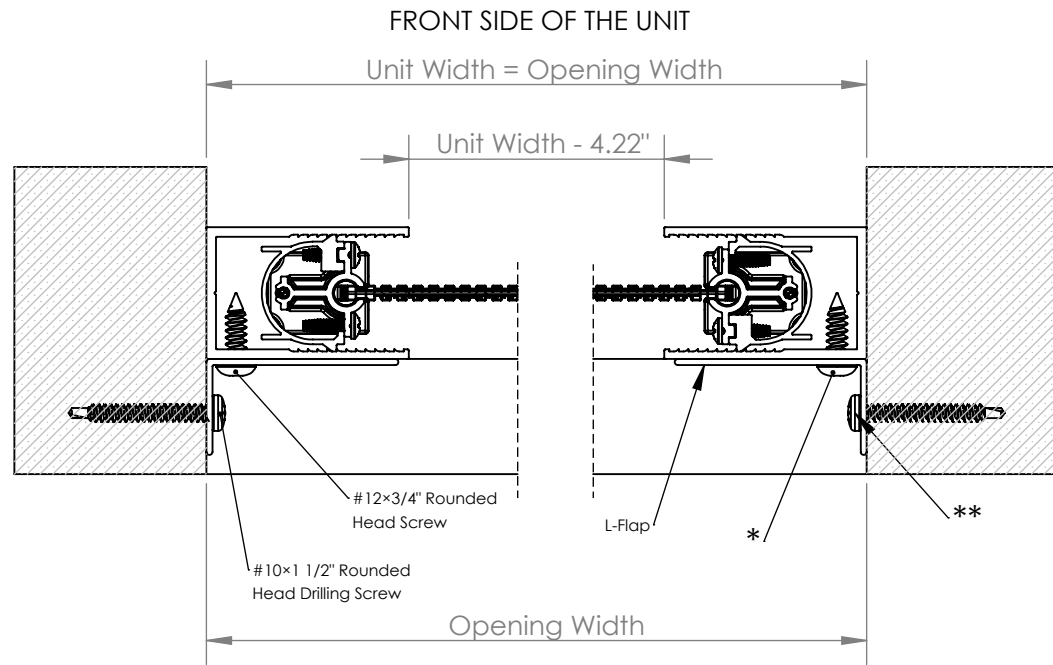
A

PROPRIETARY AND CONFIDENTIAL THE INFORMATION CONTAINED IN THIS DRAWING IS THE SOLE PROPERTY OF PHANTOM SCREENS. REPRODUCTION IN PART OR AS A WHOLE WITHOUT THE WRITTEN PERMISSION OF PHANTOM SCREENS IS PROHIBITED.		UNLESS OTHERWISE SPECIFIED: DIMENSIONS ARE IN INCHES. TOLERANCES: FRACTIONAL ± 1/32 ANGULAR ± 2 TWO PLACE DECIMAL ± .013" THREE PLACE DECIMAL ± .005"		STANDARD TOLERANCES APPLY UNLESS OTHERWISE SPECIFIED INTERPRET GEOMETRIC TOLERANCING PER: ASME Y14.5 THIRD ANGLE PROJECTION		DRAWN SA 2026-04-08 CHECKED PP 2026-04-08 ENG APPR. PP 2026-04-08 MFG APPR. Q.A.		TITLE: Mz, 5.5in Housing, Recessed Track SIZE DWG. NO. REV A EPN511 1	
		MATERIAL ASSY		SCALE: 1:12		WEIGHT:		SHEET 7 OF 8	

Motorized Retractable Screen
5.5" Housing with Recessed Track
 Housing and Tracks: In-Jamb
 L-Flap Used for Adjustment on Unparallel Posts
 Tracks Mounted on Side (*)
 L-Flap Mounted on the Side of the Track (**)

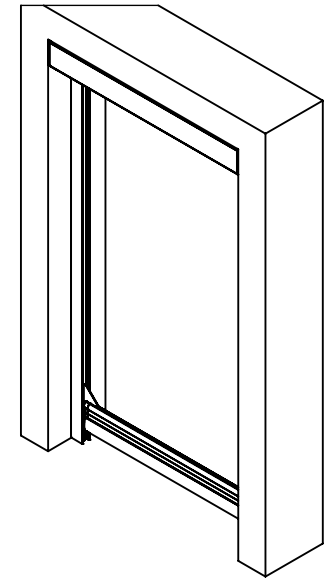
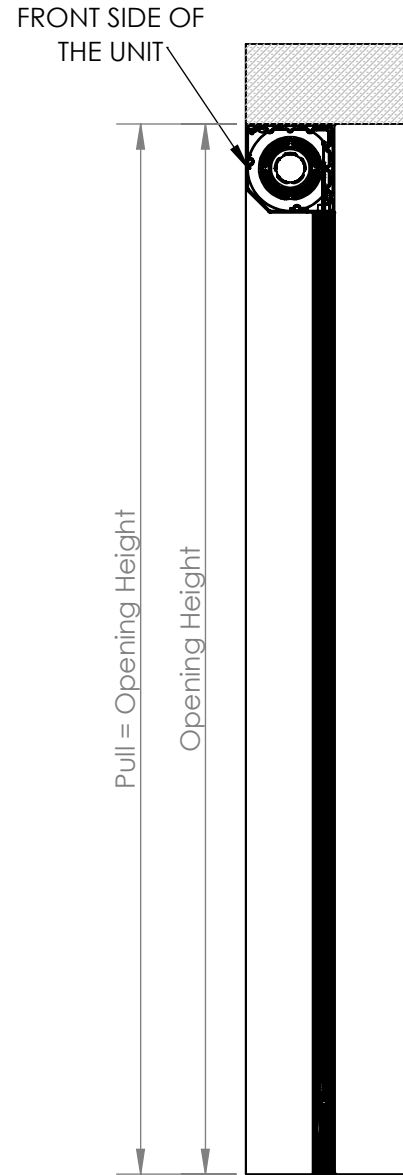
B

B



Note:

- Screen unit height can be reduced by cutting the tracks on site.
- Screen unit width is fixed and must be accurate when ordering.



SCALE 1:25

A

A

PROPRIETARY AND CONFIDENTIAL

THE INFORMATION CONTAINED IN THIS DRAWING IS THE SOLE PROPERTY OF PHANTOM SCREENS. REPRODUCTION IN PART OR AS A WHOLE WITHOUT THE WRITTEN PERMISSION OF PHANTOM SCREENS IS PROHIBITED.



UNLESS OTHERWISE SPECIFIED:

DIMENSIONS ARE IN INCHES.
 TOLERANCES:
 FRACTIONAL ± 1/32
 ANGULAR ± 2
 TWO PLACE DECIMAL ± .013"
 THREE PLACE DECIMAL ± .005"

STANDARD TOLERANCES APPLY UNLESS OTHERWISE SPECIFIED

INTERPRET GEOMETRIC TOLERANCING PER: ASME Y14.5
 THIRD ANGLE PROJECTION

MATERIAL

ASSY

DRAWN	SA	2026-04-08
CHECKED	PP	2026-04-08
ENG APPR.	PP	2026-04-08
MFG APPR.		
Q.A.		

TITLE: Mz, 5.5in Housing, Recessed Track

SIZE A

DWG. NO. EPN511

REV 1

SCALE: 1:12

WEIGHT:

SHEET 8 OF 8