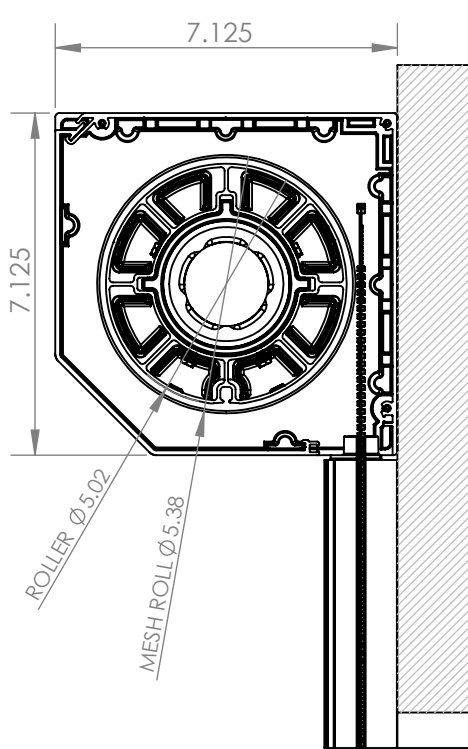
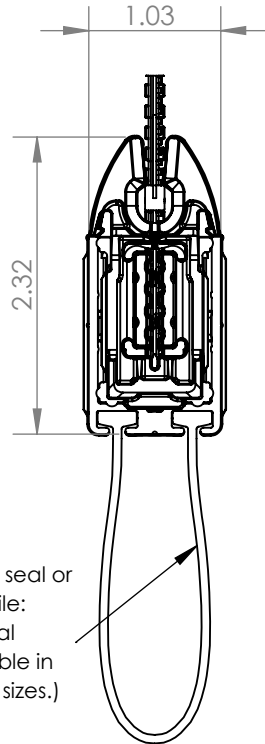


Motorized Retractable Screen

7.125" Housing with Standard Track

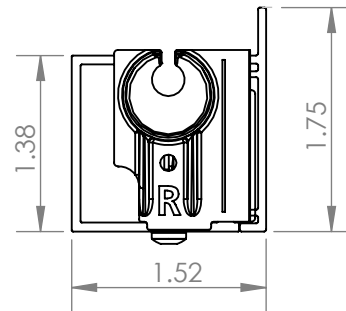


7.125" HOUSING ASSY
SECTION VIEW
SCALE 1:4



Bottom seal or
Brush pile:
Optional
(Available in
various sizes.)

SLIDEBAR ASSY
SECTION VIEW
SCALE 1:1.5



STANDARD TRACK ASSY
TOP VIEW
SCALE 1:1.5

7.125" HOUSING ASSY

STANDARD TRACK ASSY

FABRIC

SLIDEBAR ASSY

SCALE 1:12

Note:

Order includes housing assy, slider bar assy, track assys, and fabric only; all other parts to be ordered separately as required.

PROPRIETARY AND CONFIDENTIAL

THE INFORMATION CONTAINED IN THIS DRAWING IS THE SOLE PROPERTY OF PHANTOM SCREENS. REPRODUCTION IN PART OR AS A WHOLE WITHOUT THE WRITTEN PERMISSION OF PHANTOM SCREENS IS PROHIBITED.



UNLESS OTHERWISE SPECIFIED:

DIMENSIONS ARE IN INCHES.
TOLERANCES:
FRACTIONAL $\pm 1/32$
ANGULAR ± 2
TWO PLACE DECIMAL $\pm .013$ "
THREE PLACE DECIMAL $\pm .005$ "

STANDARD TOLERANCES APPLY UNLESS OTHERWISE SPECIFIED

INTERPRET GEOMETRIC TOLERANCING PER: ASME Y14.5
THIRD ANGLE PROJECTION

MATERIAL

ASSY

DRAWN

SA

2026-03-06

CHECKED

PP

2026-03-06

ENG APPR.

PP

2026-03-06

MFG APPR.

Q.A.

TITLE:

Mz, 7.125in Housing, Std Track

SIZE

A

DWG. NO.

EPN507

REV

2

SCALE: 1:12

WEIGHT:

SHEET 1 OF 5

DOCUMENT NO. XXXXX-XX-XXX

2

1

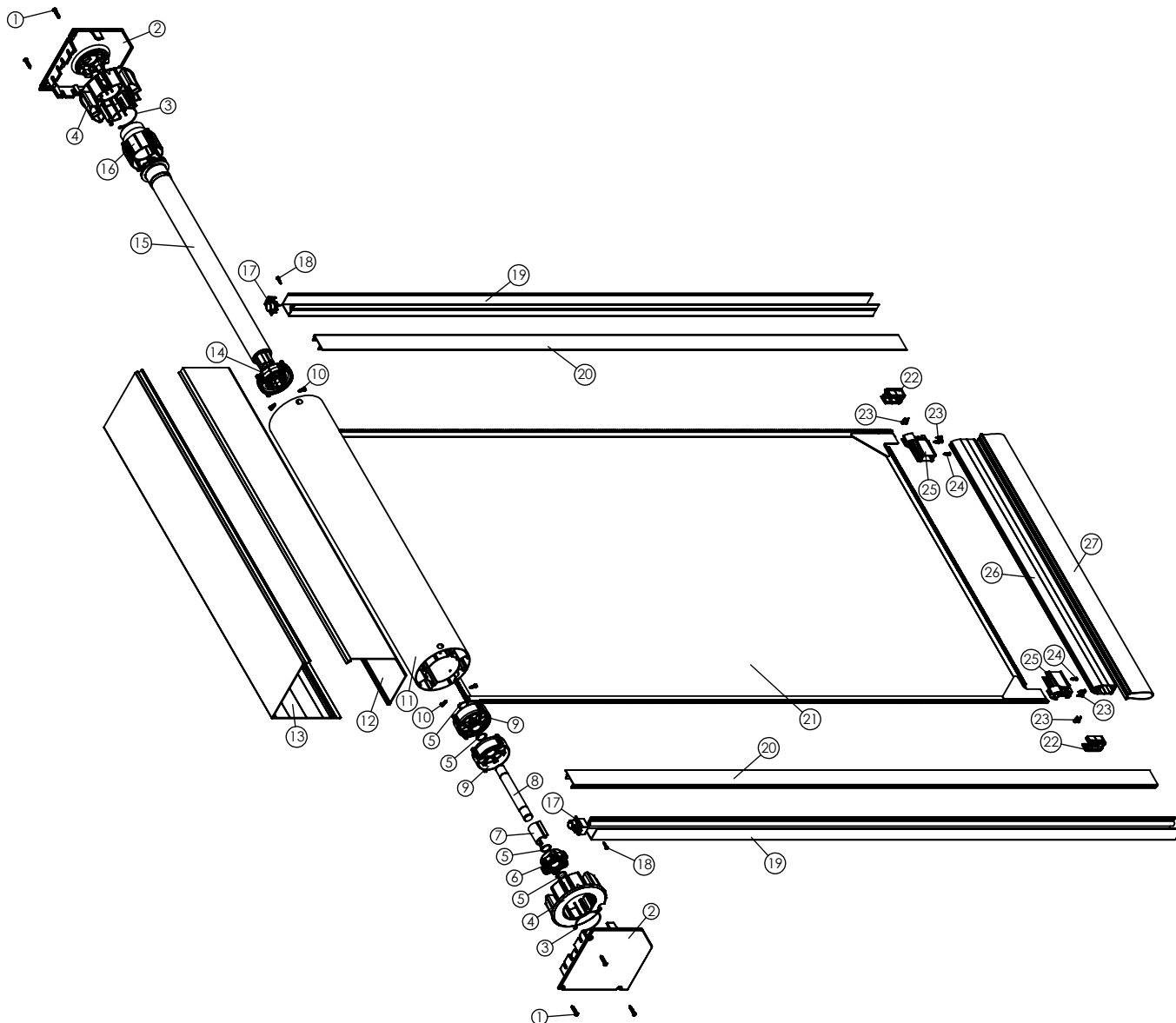
B

B

A

A


**Motorized Retractable Screen
7.125" Housing with Standard Track
Exploded View**



SCALE 1:14

PROPRIETARY AND CONFIDENTIAL

THE INFORMATION CONTAINED IN THIS DRAWING IS THE SOLE PROPERTY OF PHANTOM SCREENS. REPRODUCTION IN PART OR AS A WHOLE WITHOUT THE WRITTEN PERMISSION OF PHANTOM SCREENS IS PROHIBITED.



PHANTOM
SCREENS

UNLESS OTHERWISE SPECIFIED:

DIMENSIONS ARE IN INCHES.
TOLERANCES:
FRACTIONAL ± 1/32
ANGULAR ± 2
TWO PLACE DECIMAL ± .013"
THREE PLACE DECIMAL ± .005"

STANDARD TOLERANCES APPLY UNLESS OTHERWISE SPECIFIED

INTERPRET GEOMETRIC TOLERANCING PER: ASME Y14.5
THIRD ANGLE PROJECTION

MATERIAL
ASSY

DRAWN	SA	2026-03-06
CHECKED	PP	2026-03-06
ENG APPR.	PP	2026-03-06
MFG APPR.		
Q.A.		

TITLE: Mz, 7.125in Housing, Std Track	
SIZE: A	REV: 2
DWG. NO.: EPN507	SHEET 2 OF 5
SCALE: 1:12	WEIGHT:

2

1

A

B

Motorized Retractable Screen 7.125" Housing with Standard Track BOM Table

PROPRIETARY AND CONFIDENTIAL

THE INFORMATION CONTAINED IN THIS DRAWING IS THE SOLE PROPERTY OF PHANTOM SCREENS. REPRODUCTION IN PART OR AS A WHOLE WITHOUT THE WRITTEN PERMISSION OF PHANTOM SCREENS IS PROHIBITED.



UNLESS OTHERWISE SPECIFIED:

DIMENSIONS ARE IN INCHES.
TOLERANCES:
FRACTIONAL $\pm 1/32$
ANGULAR ± 2
TWO PLACE DECIMAL $\pm .013$ "
THREE PLACE DECIMAL $\pm .005$ "

STANDARD TOLERANCES APPLY UNLESS OTHERWISE SPECIFIED

INTERPRET GEOMETRIC TOLERANCING PER: ASME Y14.5
THIRD ANGLE PROJECTION

MATERIAL

ASSY

DRAWN

SA

2026-03-06

CHECKED

PP

2026-03-06

ENG APPR.

PP

2026-03-06

MFG APPR.

Q.A.

TITLE: Mz, 7.125in Housing, Std Track

SIZE

A

DWG. NO.

EPN507

REV

2

SCALE: 1:12

WEIGHT:

SHEET 3 OF 5

NO.	DESCRIPTION	QTY
1	71039 #8-1" Rounded Head Screw (Color matched)	6
2	68220 Mz 2.0 End Cap, 7.125in	2
3	46009 Mz Retaining Clip	2
4	46611 Mz 2.0 Leveling Ring 5IN	2
5	EPN214 External Retaining Ring	4
6	EPN3 Mz2.0 Pivot Head .75	1
7	EPN211 Mz Pivot Spacer	1
8	EPN7 Mz2.0 Pivot Shaft	1
9	EPN2 Mz2.0 Pivot Bearing	2
10	71021 #8-0.5" Hex Head Drilling Screw	8
11	46006 Mz2.0 ROLLER 5IN	1
12	EPN357 Housing, 7.125in Cover	1
13	47120 Hsg, 1-pc back-top, 7.125in	1
14	EPN4 Mz2.0 Motor Drive Ring	1
15	67235 Somfy Motor, 525A2 Maestria RTS	1
16	EPN5 Mz2.0 Motor Encoder Ring	1
17	68023 Exec Track Entry Guide, Std	2
18	90203A510_Rounded Head Drilling Screws	2
19	46054 Std. Track, Exec	2
20	46053 Track Cover, Exec Std	2
21	EPN437 Sure Fit Mesh	1
22	EPN161 Slidebar Endcap Cover	2
23	71027 #6-1/2" Rounded Head Screw	8
24	71135 #6-5/8" Flat Head Screw	4
25	EPN160 Slidebar Endcap Main	2
26	EPN199 Slidebar-w-Stopper	1
27	Brush pile or bottom gasket (available in various sizes)	1

2

1

DOCUMENT NO. XXXXX-XX-XXX

A

B

2

1

Motorized Retractable Screen

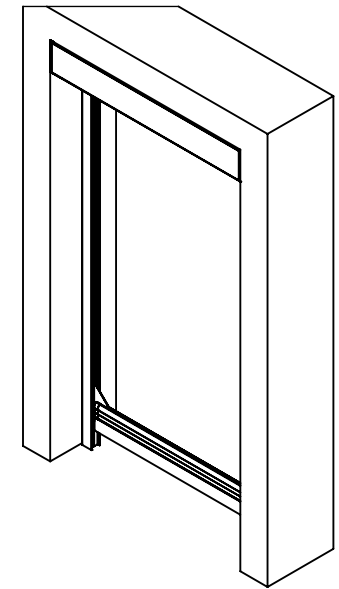
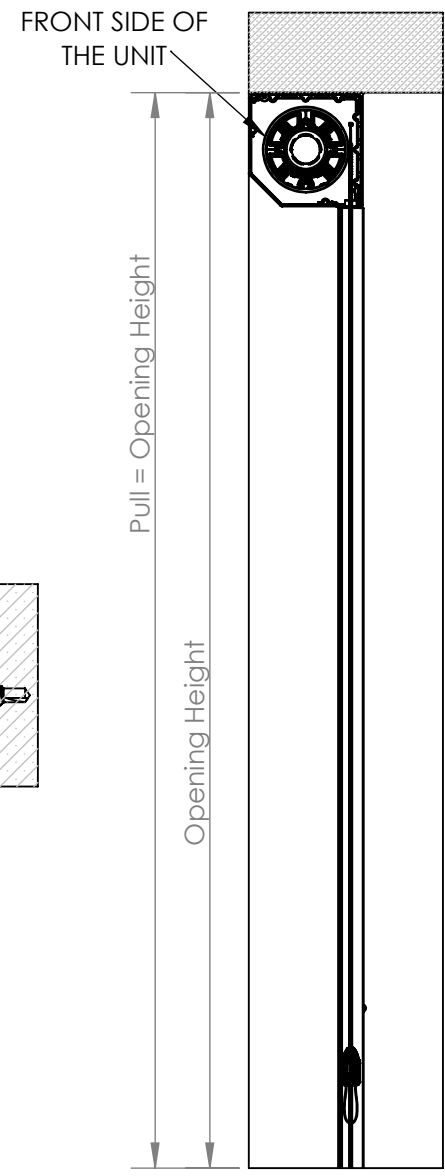
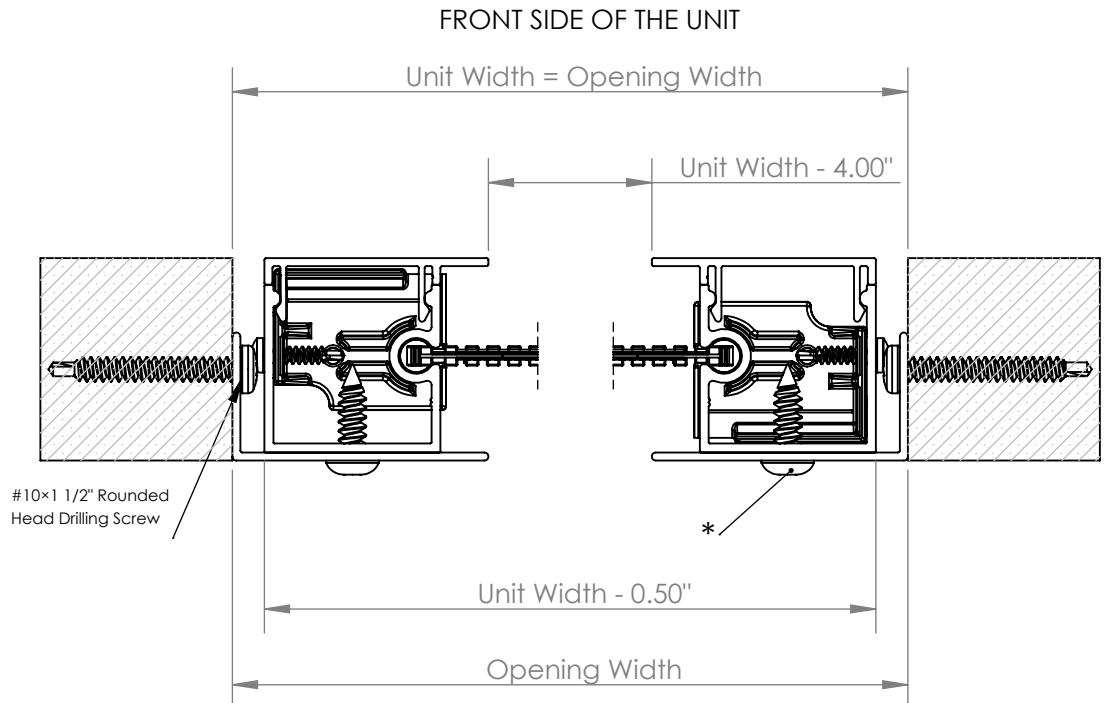
7.125" Housing with Standard Track

Housing and Tracks: In-Jamb

Tracks Mounted on Side (*)

B

B



Note:

- Screen unit height can be reduced by cutting the tracks on site.
- Screen unit width is fixed and must be accurate when ordering.

A

A

PROPRIETARY AND CONFIDENTIAL THE INFORMATION CONTAINED IN THIS DRAWING IS THE SOLE PROPERTY OF PHANTOM SCREENS. REPRODUCTION IN PART OR AS A WHOLE WITHOUT THE WRITTEN PERMISSION OF PHANTOM SCREENS IS PROHIBITED.		UNLESS OTHERWISE SPECIFIED: DIMENSIONS ARE IN INCHES. FRACTIONAL ± 1/32 ANGULAR ± 2 TWO PLACE DECIMAL ± .013" THREE PLACE DECIMAL ± .005"		STANDARD TOLERANCES APPLY UNLESS OTHERWISE SPECIFIED INTERPRET GEOMETRIC TOLERANCING PER: ASME Y14.5 THIRD ANGLE PROJECTION		DRAWN SA 2026-03-06 CHECKED PP 2026-03-06 ENG APPR. PP 2026-03-06 MFG APPR. Q.A.	TITLE: Mz, 7.125in Housing, Std Track SIZE A DWG. NO. EPN507 SCALE: 1:12 WEIGHT:		REV 2 SHEET 4 OF 5
		MATERIAL ASSY							

2

1

2

1

Motorized Retractable Screen

7.125" Housing with Standard Track

Housing and Tracks: Surface Mounted

Tracks Mounted on Side (*)

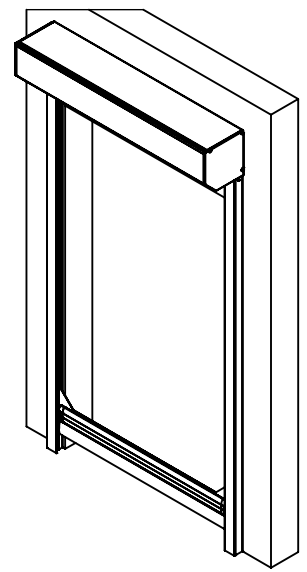
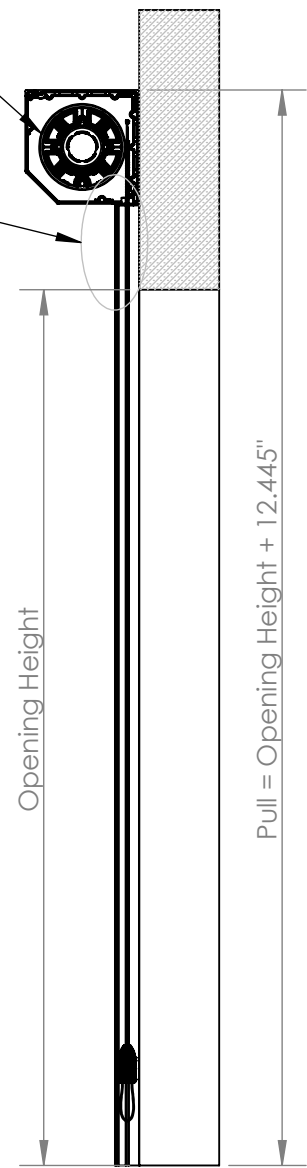
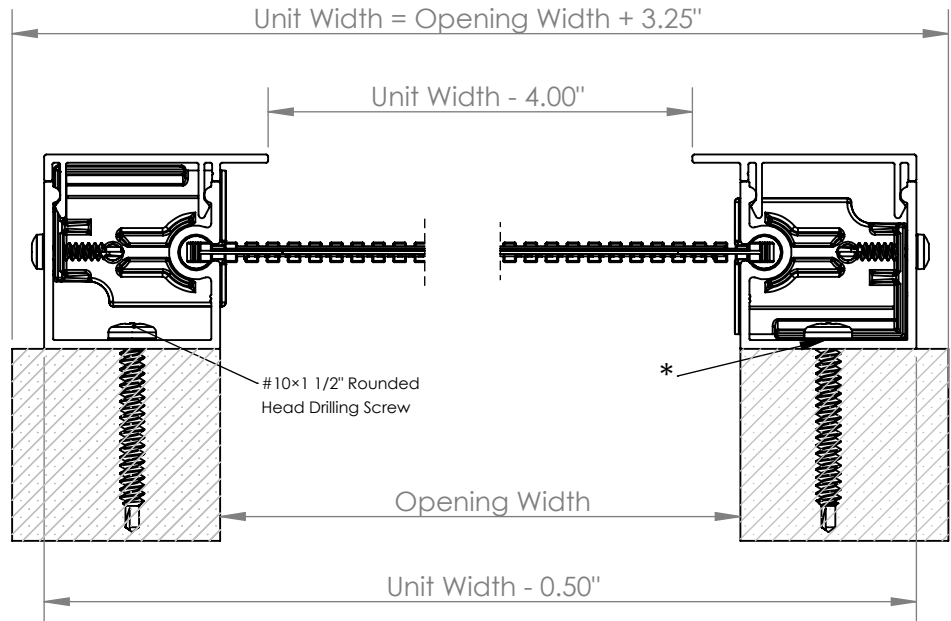
B

B

FRONT SIDE OF THE UNIT

Space reserved for slide bar and bottom seal/brushpile on top. clear of the opening for maximum view.

FRONT SIDE OF THE UNIT



SCALE 1:25

A

A

Note:

- Screen unit height can be reduced by cutting the tracks on site.
- Screen unit width is fixed and must be accurate when ordering.

PROPRIETARY AND CONFIDENTIAL THE INFORMATION CONTAINED IN THIS DRAWING IS THE SOLE PROPERTY OF PHANTOM SCREENS. REPRODUCTION IN PART OR AS A WHOLE WITHOUT THE WRITTEN PERMISSION OF PHANTOM SCREENS IS PROHIBITED.		UNLESS OTHERWISE SPECIFIED: DIMENSIONS ARE IN INCHES. TOLERANCES: FRACTIONAL ± 1/32 ANGULAR ± 2 TWO PLACE DECIMAL ± .013" THREE PLACE DECIMAL ± .005"		STANDARD TOLERANCES APPLY UNLESS OTHERWISE SPECIFIED INTERPRET GEOMETRIC TOLERANCING PER: ASME Y14.5 THIRD ANGLE PROJECTION		DRAWN SA 2026-03-06 CHECKED PP 2026-03-06 ENG APPR. PP 2026-03-06 MFG APPR. Q.A.	TITLE: Mz, 7.125in Housing, Std Track SIZE A DWG. NO. EPN507 SCALE: 1:12 WEIGHT:		REV 2 SHEET 5 OF 5
--	--	---	--	---	--	--	---	--	-----------------------



2

1