

2

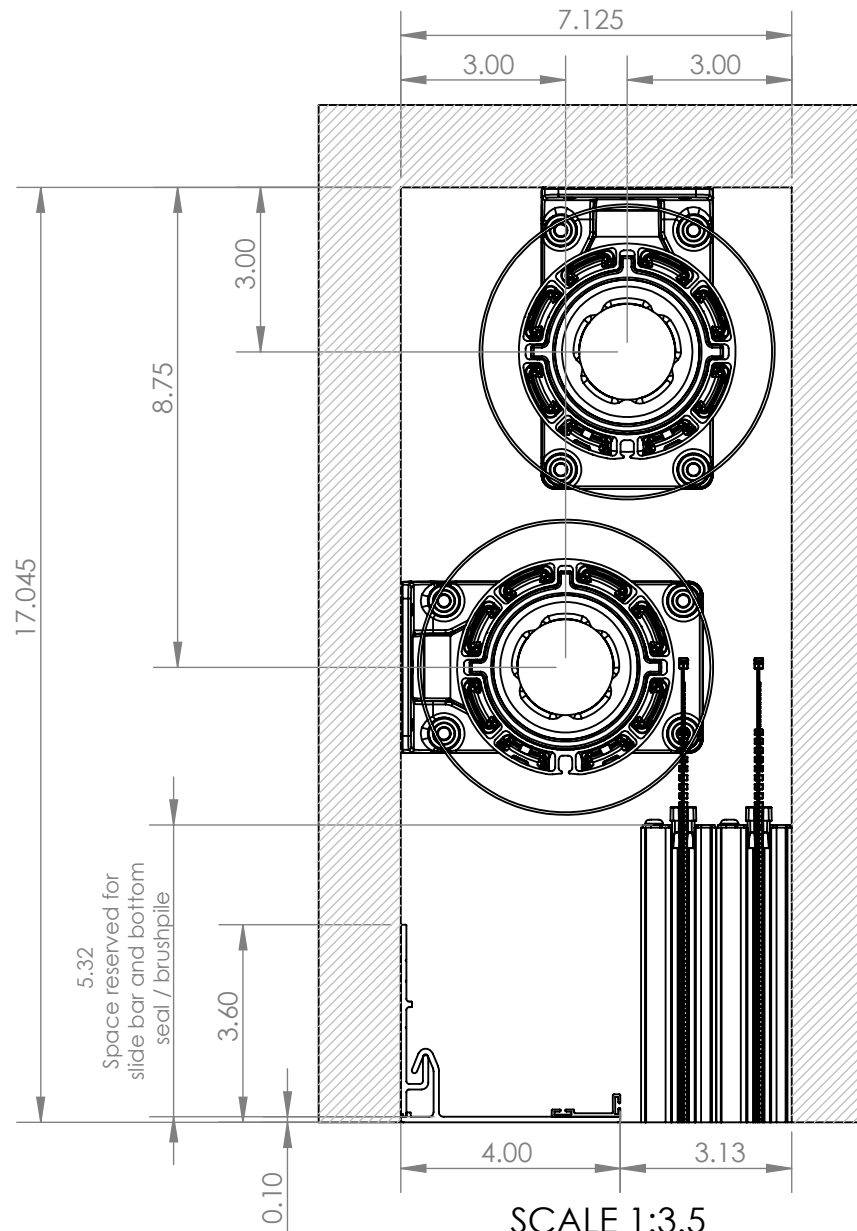
1

# Motorized Retractable Screen

## Double 4" Recessed Roller - Stacked

B

B



SCALE 1:3.5

A

A

PROPRIETARY AND CONFIDENTIAL

THE INFORMATION CONTAINED IN THIS DRAWING IS THE SOLE PROPERTY OF PHANTOM SCREENS. REPRODUCTION IN PART OR AS A WHOLE WITHOUT THE WRITTEN PERMISSION OF PHANTOM SCREENS IS PROHIBITED.



UNLESS OTHERWISE SPECIFIED:

DIMENSIONS ARE IN INCHES.  
 TOLERANCES:  
 FRACTIONAL ± 1/32  
 ANGULAR ± 2  
 TWO PLACE DECIMAL ± .013"  
 THREE PLACE DECIMAL ± .005"

STANDARD TOLERANCES APPLY UNLESS OTHERWISE SPECIFIED

INTERPRET GEOMETRIC TOLERANCING PER: ASME Y14.5  
 THIRD ANGLE PROJECTION

MATERIAL

DRAWN	SA	2025-12-23
CHECKED	PP	2025-12-23
ENG APPR.	PP	2025-12-23
MFG APPR.		
Q.A.		

TITLE: Mz2.0, Dual Roller

SIZE	DWG. NO.	REV
<b>A</b>	EPN469	3
SCALE:	WEIGHT: 100.526	SHEET 1 OF 10

2

1

DOCUMENT NO. XXXXX-XX-XXX

2

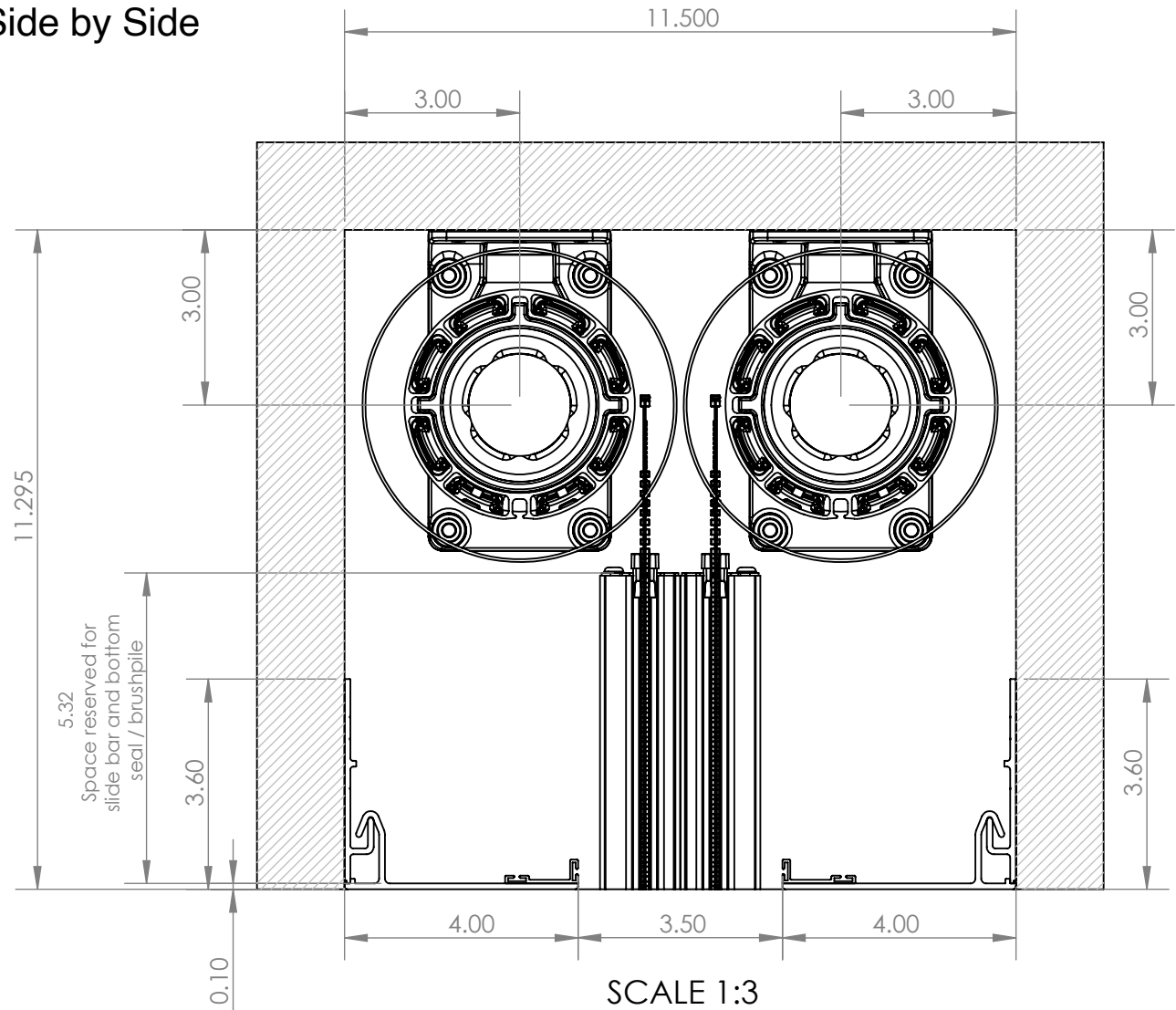
1

# Motorized Retractable Screen

## Double 4" Recessed Roller - Side by Side

B

B



A

A

SCALE 1:3

PROPRIETARY AND CONFIDENTIAL

THE INFORMATION CONTAINED IN THIS DRAWING IS THE SOLE PROPERTY OF PHANTOM SCREENS. REPRODUCTION IN PART OR AS A WHOLE WITHOUT THE WRITTEN PERMISSION OF PHANTOM SCREENS IS PROHIBITED.



UNLESS OTHERWISE SPECIFIED:

DIMENSIONS ARE IN INCHES.  
 TOLERANCES:  
 FRACTIONAL ± 1/32  
 ANGULAR ± 2  
 TWO PLACE DECIMAL ± .013"  
 THREE PLACE DECIMAL ± .005"

STANDARD TOLERANCES APPLY UNLESS OTHERWISE SPECIFIED

INTERPRET GEOMETRIC TOLERANCING PER: ASME Y14.5  
 THIRD ANGLE PROJECTION

MATERIAL

DRAWN	SA	2025-12-23
CHECKED	PP	2025-12-23
ENG APPR.	PP	2025-12-23
MFG APPR.		
Q.A.		

TITLE: Mz2.0, Dual Roller

SIZE	DWG. NO.	REV
<b>A</b>	EPN469	3
SCALE:	WEIGHT: 100.526	SHEET 2 OF 10

2

1

DOCUMENT NO. XXXXX-XX-XXX

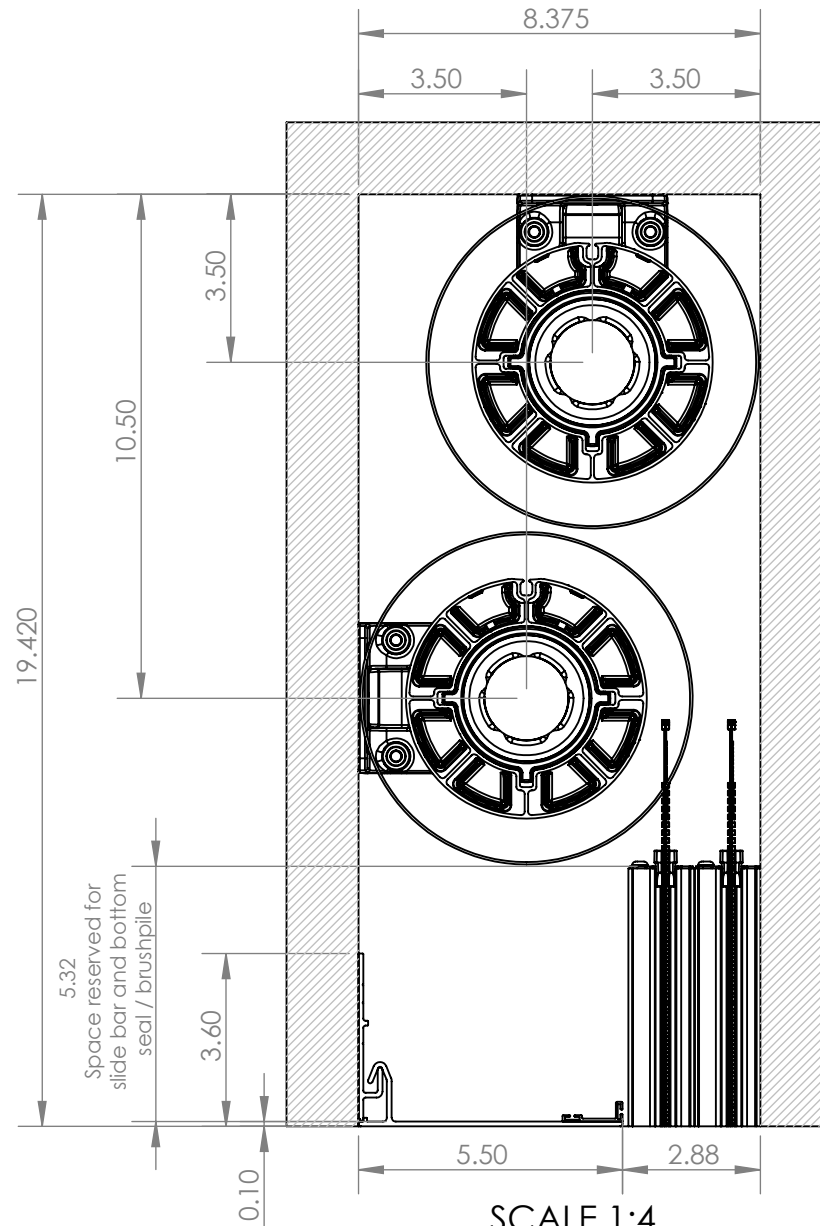
2

1

# Motorized Retractable Screen Double 5" Recessed Roller - Stacked

B

B



A

A

SCALE 1:4

PROPRIETARY AND CONFIDENTIAL

THE INFORMATION CONTAINED IN THIS DRAWING IS THE SOLE PROPERTY OF PHANTOM SCREENS. REPRODUCTION IN PART OR AS A WHOLE WITHOUT THE WRITTEN PERMISSION OF PHANTOM SCREENS IS PROHIBITED.



UNLESS OTHERWISE SPECIFIED:

DIMENSIONS ARE IN INCHES.  
 TOLERANCES:  
 FRACTIONAL ± 1/32  
 ANGULAR ± 2  
 TWO PLACE DECIMAL ± .013"  
 THREE PLACE DECIMAL ± .005"

STANDARD TOLERANCES APPLY UNLESS OTHERWISE SPECIFIED

INTERPRET GEOMETRIC TOLERANCING PER: ASME Y14.5  
 THIRD ANGLE PROJECTION

MATERIAL

DRAWN	SA	2025-12-23	TITLE: Mz2.0, Dual Roller	
CHECKED	PP	2025-12-23	SIZE <b>A</b>	DWG. NO. EPN469
ENG APPR.	PP	2025-12-23		
MFG APPR.			SCALE:	WEIGHT: 100.526
Q.A.				SHEET 3 OF 10

2

1

DOCUMENT NO. XXXXX-XX-XXX



2

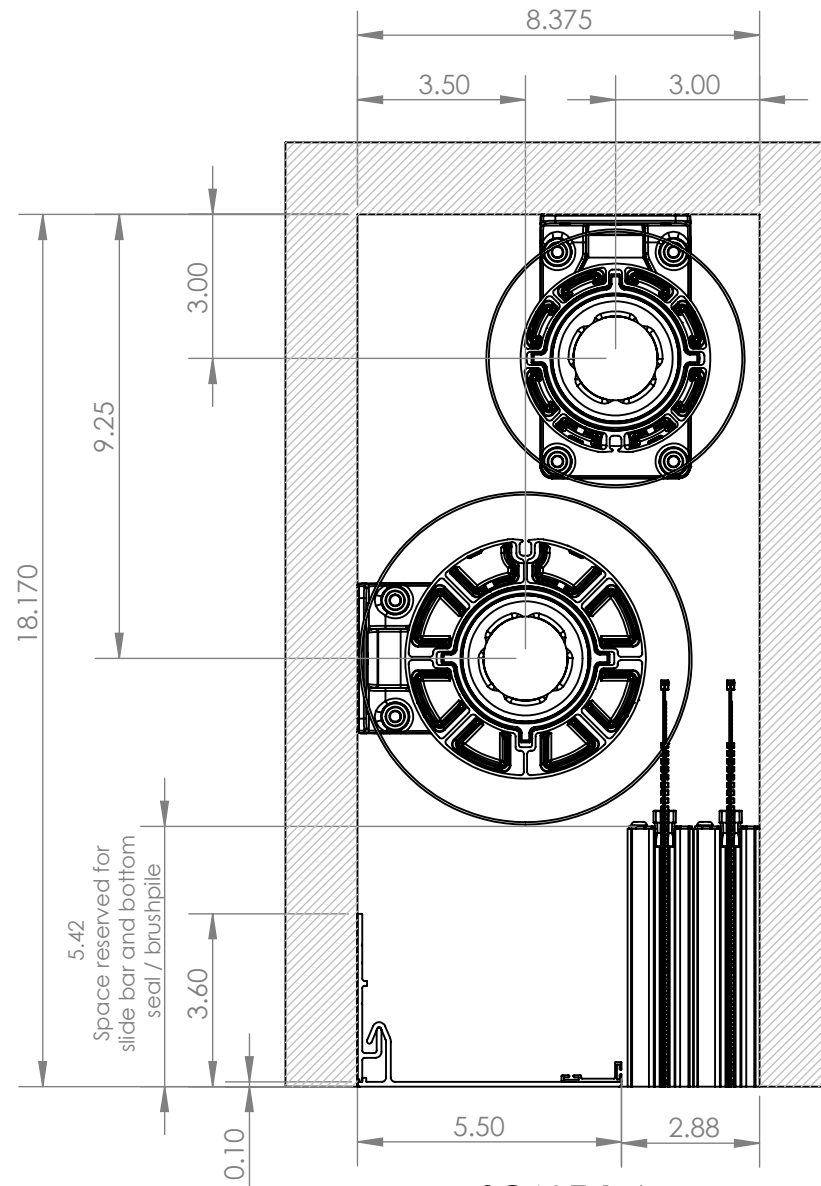
1

# Motorized Retractable Screen

## Double 4" & 5" Recessed Roller - Stacked

B

B



A

A

SCALE 1:4

PROPRIETARY AND CONFIDENTIAL

THE INFORMATION CONTAINED IN THIS DRAWING IS THE SOLE PROPERTY OF PHANTOM SCREENS. REPRODUCTION IN PART OR AS A WHOLE WITHOUT THE WRITTEN PERMISSION OF PHANTOM SCREENS IS PROHIBITED.



UNLESS OTHERWISE SPECIFIED:

DIMENSIONS ARE IN INCHES.  
 TOLERANCES:  
 FRACTIONAL  $\pm 1/32$   
 ANGULAR  $\pm 2$   
 TWO PLACE DECIMAL  $\pm .013$ "  
 THREE PLACE DECIMAL  $\pm .005$ "

STANDARD TOLERANCES APPLY UNLESS OTHERWISE SPECIFIED

INTERPRET GEOMETRIC TOLERANCING PER: ASME Y14.5  
 THIRD ANGLE PROJECTION

MATERIAL

DRAWN	SA	2025-12-23
CHECKED	PP	2025-12-23
ENG APPR.	PP	2025-12-23
MFG APPR.		
Q.A.		

TITLE: Mz2.0, Dual Roller

SIZE	DWG. NO.	REV
<b>A</b>	EPN469	3
SCALE:	WEIGHT: 100.526	SHEET 5 OF 10

2

1

DOCUMENT NO. XXXXX-XX-XXX

2

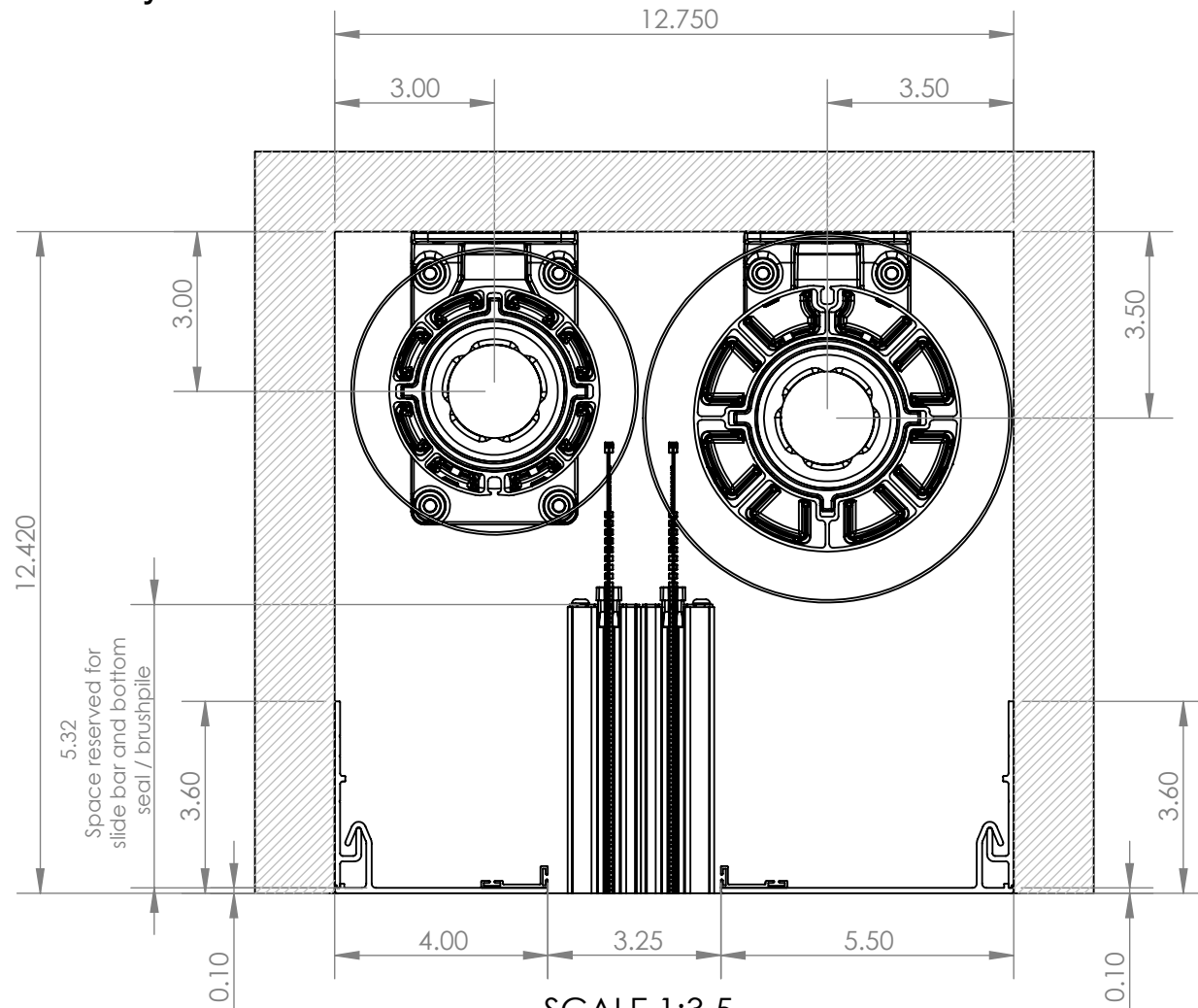
1

# Motorized Retractable Screen

## Double 4" & 5" Recessed Roller - Side by Side

B

B



A

A

PROPRIETARY AND CONFIDENTIAL

THE INFORMATION CONTAINED IN THIS DRAWING IS THE SOLE PROPERTY OF PHANTOM SCREENS. REPRODUCTION IN PART OR AS A WHOLE WITHOUT THE WRITTEN PERMISSION OF PHANTOM SCREENS IS PROHIBITED.



UNLESS OTHERWISE SPECIFIED:

DIMENSIONS ARE IN INCHES.  
 TOLERANCES:  
 FRACTIONAL  $\pm 1/32$   
 ANGULAR  $\pm 2$   
 TWO PLACE DECIMAL  $\pm .013$ "  
 THREE PLACE DECIMAL  $\pm .005$ "

STANDARD TOLERANCES APPLY UNLESS OTHERWISE SPECIFIED

INTERPRET GEOMETRIC TOLERANCING PER: ASME Y14.5  
 THIRD ANGLE PROJECTION

MATERIAL

DRAWN	SA	2025-12-23
CHECKED	PP	2025-12-23
ENG APPR.	PP	2025-12-23
MFG APPR.		
Q.A.		

TITLE: Mz2.0, Dual Roller

SIZE	DWG. NO.	REV
<b>A</b>	EPN469	3
SCALE:	WEIGHT: 100.526	SHEET 6 OF 10

2

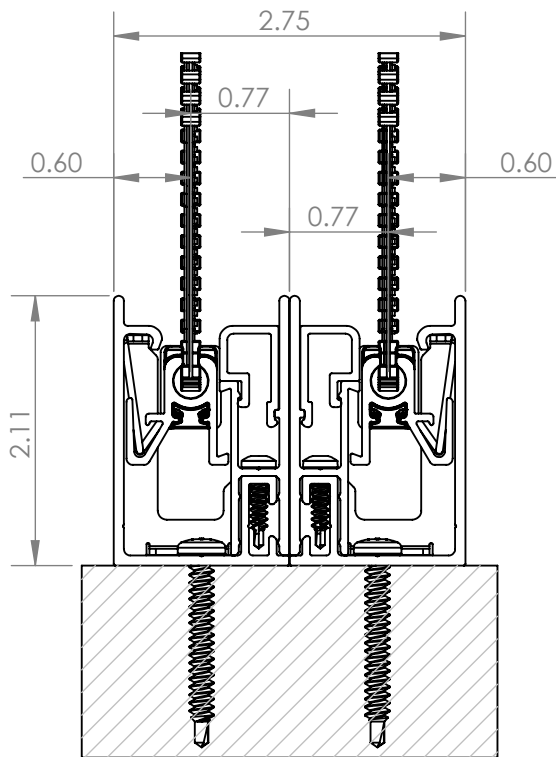
1

# Motorized Retractable Screen

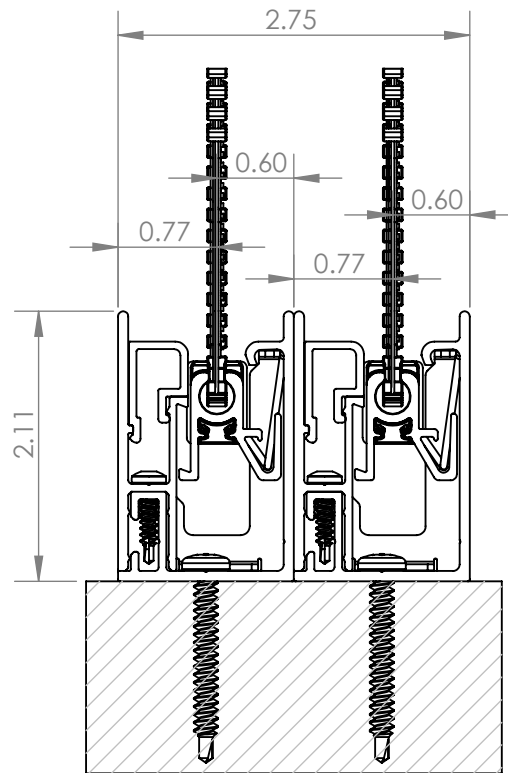
## Double Sure Fit Tracks For Dual Recessed Rollers

### Track In-Jamb Positiond Options

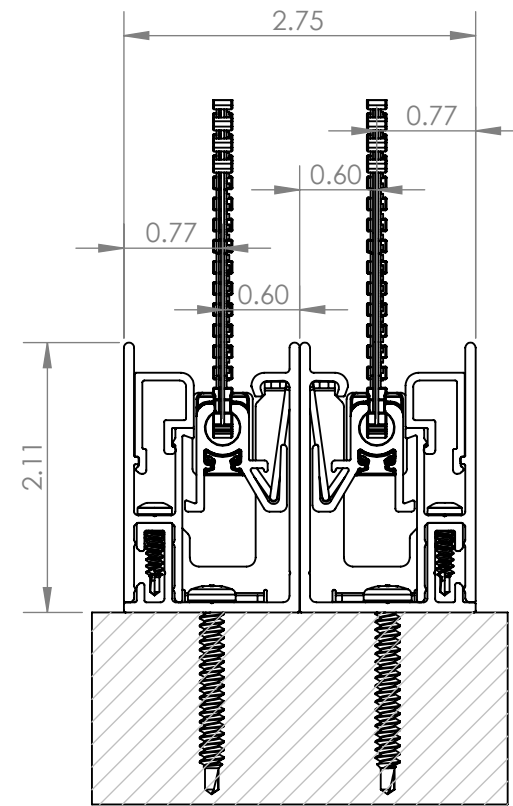
B



Tracks Facing Toward Each Other



Tracks are Parallel



Tracks Facing Outward

B

A

Note:

1. These options apply to recessed rollers only (not with housing).

A

PROPRIETARY AND CONFIDENTIAL

THE INFORMATION CONTAINED IN THIS DRAWING IS THE SOLE PROPERTY OF PHANTOM SCREENS. REPRODUCTION IN PART OR AS A WHOLE WITHOUT THE WRITTEN PERMISSION OF PHANTOM SCREENS IS PROHIBITED.



UNLESS OTHERWISE SPECIFIED:

DIMENSIONS ARE IN INCHES.  
 TOLERANCES:  
 FRACTIONAL ± 1/32  
 ANGULAR ± 2  
 TWO PLACE DECIMAL ± .013"  
 THREE PLACE DECIMAL ± .005"

STANDARD TOLERANCES APPLY UNLESS OTHERWISE SPECIFIED

INTERPRET GEOMETRIC TOLERANCING PER: ASME Y14.5  
 THIRD ANGLE PROJECTION

MATERIAL

DRAWN	SA	2025-12-23
CHECKED	PP	2025-12-23
ENG APPR.	PP	2025-12-23
MFG APPR.		
Q.A.		

TITLE: Mz2.0, Dual Roller

SIZE	DWG. NO.	REV
<b>A</b>	EPN469	3
SCALE:	WEIGHT: 100.526	SHEET 7 OF 10

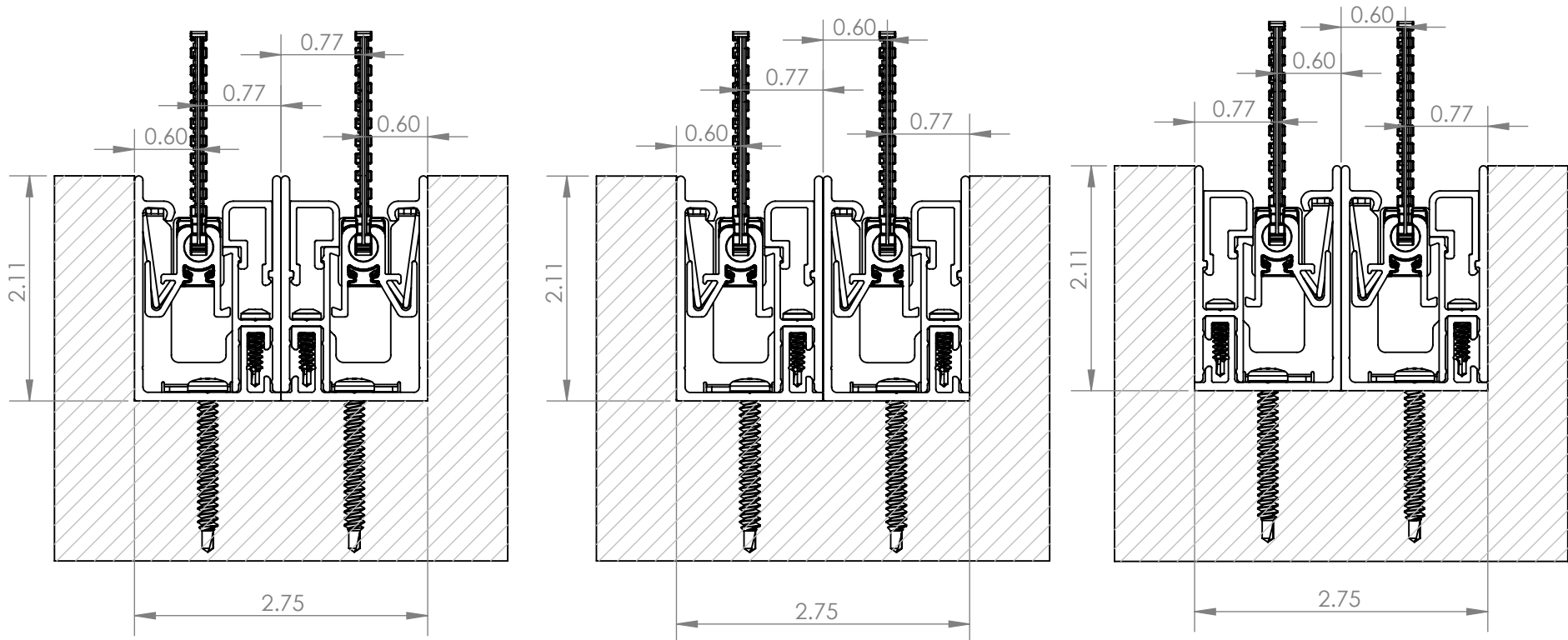
# Motorized Retractable Screen

## Double Sure Fit Tracks For Dual Recessed Rollers

### Tracks Recessed-Mounted Options (Without U-Guard)

B

B



Tracks Facing Toward Each Other


Tracks are Parallel

Tracks Facing Outward

A

A

**Note:**  
 1. These options apply to recessed rollers only (not with housing).

PROPRIETARY AND CONFIDENTIAL <small>THE INFORMATION CONTAINED IN THIS DRAWING IS THE SOLE PROPERTY OF PHANTOM SCREENS. REPRODUCTION IN PART OR AS A WHOLE WITHOUT THE WRITTEN PERMISSION OF PHANTOM SCREENS IS PROHIBITED.</small>		UNLESS OTHERWISE SPECIFIED: DIMENSIONS ARE IN INCHES. TOLERANCES: FRACTIONAL ± 1/32 ANGULAR ± 2 TWO PLACE DECIMAL ± .013" THREE PLACE DECIMAL ± .005"		STANDARD TOLERANCES APPLY UNLESS OTHERWISE SPECIFIED INTERPRET GEOMETRIC TOLERANCING PER: ASME Y14.5 THIRD ANGLE PROJECTION		DRAWN SA 2025-12-23 CHECKED PP 2025-12-23 ENG APPR. PP 2025-12-23 MFG APPR. Q.A.		TITLE: Mz2.0, Dual Roller DWG. NO. EPN469 REV 3	
		MATERIAL		SCALE:		WEIGHT: 100.526		SHEET 8 OF 10	

# Motorized Retractable Screen

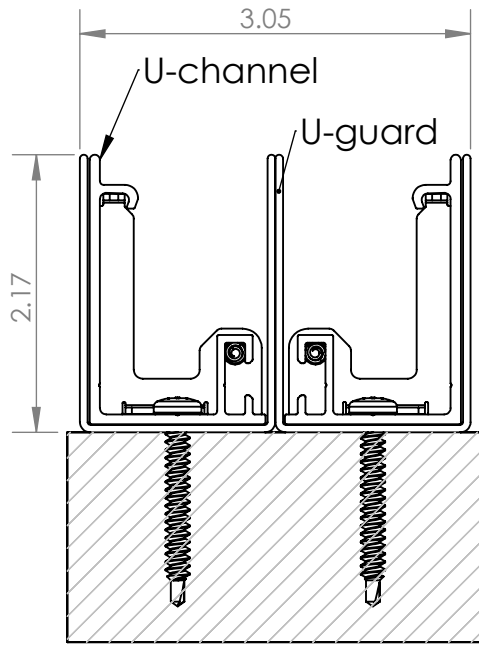
## Double Sure Fit Tracks For Dual Recessed Rollers

### Stucco Build-Up Post with U-Guard (continued on next page)

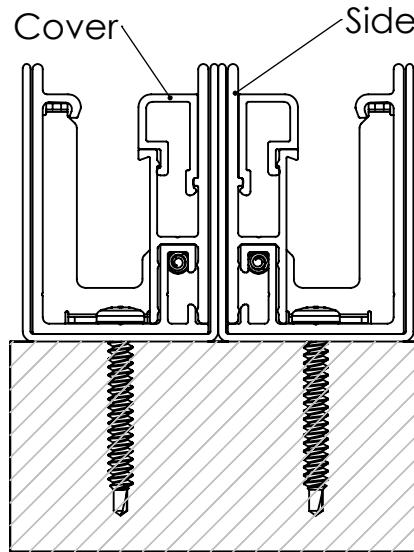
#### Track Installation Procedure with Stucco Build-up Posts

B

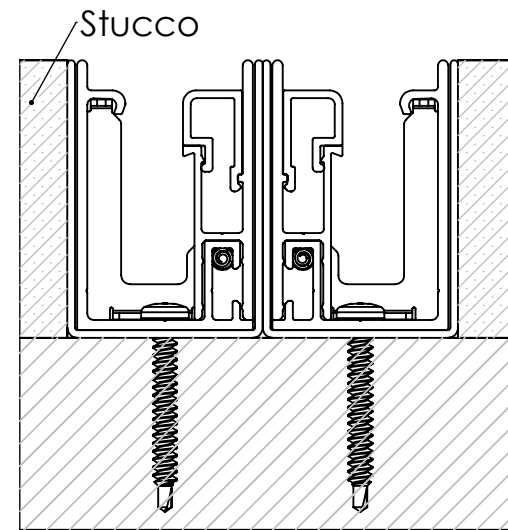
B



(A)  
Mount U-channel  
and U-guard



(B)  
Install side and  
cover



(C)  
Build up the post

A

A

#### Note:

1. These options apply to recessed rollers only (not with housing).

PROPRIETARY AND CONFIDENTIAL

THE INFORMATION CONTAINED IN THIS DRAWING IS THE SOLE PROPERTY OF PHANTOM SCREENS. REPRODUCTION IN PART OR AS A WHOLE WITHOUT THE WRITTEN PERMISSION OF PHANTOM SCREENS IS PROHIBITED.



UNLESS OTHERWISE SPECIFIED:

DIMENSIONS ARE IN INCHES.  
 TOLERANCES:  
 FRACTIONAL ± 1/32  
 ANGULAR ± 2  
 TWO PLACE DECIMAL ± .013"  
 THREE PLACE DECIMAL ± .005"

STANDARD TOLERANCES APPLY UNLESS OTHERWISE SPECIFIED

INTERPRET GEOMETRIC TOLERANCING PER: ASME Y14.5  
 THIRD ANGLE PROJECTION

MATERIAL

DRAWN	SA	2025-12-23
CHECKED	PP	2025-12-23
ENG APPR.	PP	2025-12-23
MFG APPR.		
Q.A.		

TITLE: Mz2.0, Dual Roller

SIZE	DWG. NO.	REV
<b>A</b>	EPN469	3

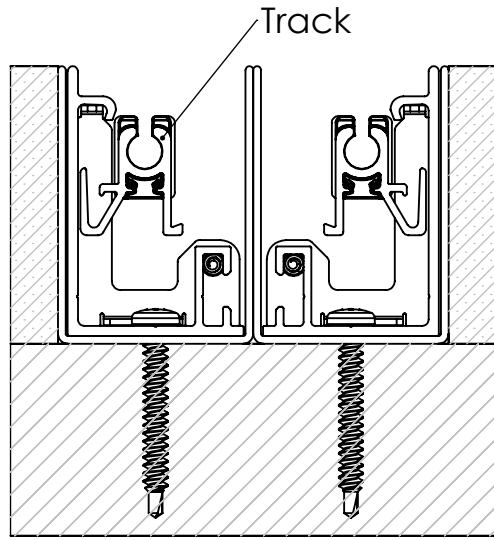
SCALE:	WEIGHT: 100.526	SHEET 9 OF 10
--------	-----------------	---------------

# Motorized Retractable Screen

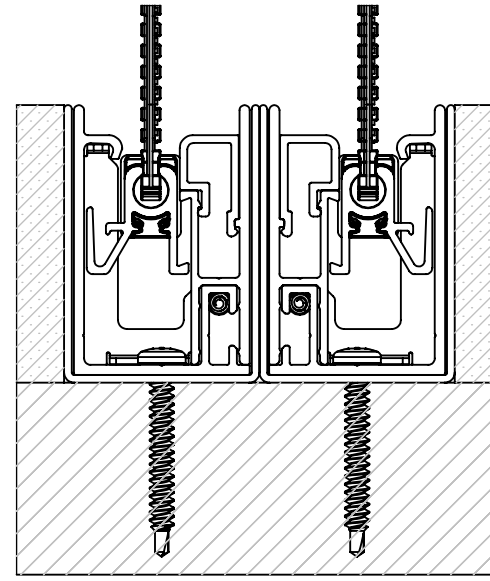
## Double Sure Fit Tracks For Dual Recessed Rollers

### Stucco Build-Up Post with U-Guard

#### Track Installation Procedure with Stucco Build-up Posts



(D)  
Remove U-channel  
side and cover and  
insert the track



(E)  
Reinstall U-channel  
side and cover

Note:  
1. These options apply to recessed rollers only (not with housing).

PROPRIETARY AND CONFIDENTIAL THE INFORMATION CONTAINED IN THIS DRAWING IS THE SOLE PROPERTY OF PHANTOM SCREENS. REPRODUCTION IN PART OR AS A WHOLE WITHOUT THE WRITTEN PERMISSION OF PHANTOM SCREENS IS PROHIBITED.		UNLESS OTHERWISE SPECIFIED: DIMENSIONS ARE IN INCHES. TOLERANCES: FRACTIONAL $\pm 1/32$ ANGULAR $\pm 2$ TWO PLACE DECIMAL $\pm .013$ " THREE PLACE DECIMAL $\pm .005$ "		STANDARD TOLERANCES APPLY UNLESS OTHERWISE SPECIFIED INTERPRET GEOMETRIC TOLERANCING PER: ASME Y14.5 THIRD ANGLE PROJECTION MATERIAL		DRAWN SA 2025-12-23 CHECKED PP 2025-12-23 ENG APPR. PP 2025-12-23 MFG APPR. Q.A.	TITLE: Mz2.0, Dual Roller SIZE DWG. NO. REV <b>A</b> EPN469 3 SCALE: WEIGHT: 100.526 SHEET 10 OF 10
--	--	---	--	---	--	--	--

