



Retractable Screens for
DOORS | OUTDOOR SPACES | MULTI-PANEL SYSTEMS | WINDOWS



table of contents

DOORS	04
Phantom Door Screen	06
Applications	07
Customization	08
Specifications	10
OUTDOOR SPACES	12
Phantom Motorized Screen	14
Applications	15
Customization	16
Controls and Automation	18
Specifications	20
MULTI-PANEL DOOR SYSTEMS	24
Phantom Oversized Door Screen	26
Applications	27
Customization	28
Specifications	30
WINDOWS	32
Phantom Window Screen	34
Applications	35
Customization	36
Specifications	37
Phantom Wood Window Screen	38
Applications	39
Customization	40
Specifications	41



Since 1992, Phantom Screens has expertly manufactured and professionally installed industry leading retractable screens in North America.

Known for superior quality and elegant design, Phantom Screens enables home & business owners to experience a new level of comfort, style and versatility.

BENEFITS

- Retracts out of sight
- Keeps the bugs out
- Blends into your home décor
- Maintains your view to the outdoors
- Allows fresh air ventilation
- Provides climate control
- Expands your living space
- Protects against UV rays
- Professionally installed
- Backed by a limited lifetime warranty

Phantom's retractable screens provide solutions for







for DOORS

There's nothing like being able to leave your door wide open to enjoy the breeze, especially towards the end of a hot summer day. Phantom's retractable door screens are insect screens which disappear out of sight into a discreet housing, giving you fresh air without the bugs – and won't spoil the look of your home. They come in a wide variety of colors, sizes and mesh types, perfectly matching with your décor.

Phantom Door Screen

*Retractable door screen
for all door types*

FEATURES & BENEFITS

- Keeps the bugs out
- Easy in and out access
- Protection from the sun & UV rays
- Retracts horizontally
- Built-in lubricant
- Glides smoothly along tracks
- Easy operation with secure closure
- Thumb or magnet latch closure system
- Various mesh options
- Wood grain & custom color options



Applications

Phantom's door screens are custom made, professionally installed and designed to fit a variety of doorways.

Single out-swing/in-swing doors



French doors



Sliding patio doors



Oversized doors



OTHER AVAILABLE PRODUCT FOR DOORWAYS

For openings larger than 10 feet wide, or for added security using fully retained mesh, see our Phantom Oversized Door Screens.

Customization

COLOR OPTIONS

Standard Colors

Choose from one of ten standard colors or decorative wood grain finishes.



CLASSIC WHITE CALICO LINEN SLIVERED ALMOND SANDAL WOOD DRIFTWOOD BEIGE HARTFORD GREEN RIDEAU BROWN COASTAL GREY MINERAL BRONZE PHANTOM BLACK

Wood Grain



LIGHT KNOTTY PINE LIGHT FIR LIGHT OAK DARK KNOTTY PINE DARK OAK LIGHT CHERRY DARK ACACIA LIGHT ASH LIGHT CEDAR



DARK FIR DARK CHERRY DARK ASH DARK CEDAR DARK WALNUT MAHOGANY

Custom Color

Phantom Screens also offers a custom color matching program to blend our screens with any color scheme.

* Please note that the appearance of the colors illustrated will differ from the actual coated samples or finished articles.

MESH & FABRIC OPTIONS

All mesh and fabric options seal out insects, reduce heat and glare, as well as prevent fading of furnishing.



INSECT
Reduces up to 55% of UV rays



SOLAR
Reduces up to 95% of UV rays

LATCHING OPTIONS

One of the great things about choosing a door screen from Phantom is that you have two closure options when it comes to securing your screen. You can choose either a latching handle or magnet closure.

Thumb Latch System

An integrated quick release latch in the handle makes the screen easy to use and secure from unintended openings.



Magnet Latch System

The standard latching system that allows for easy release and breakaway upon impact to protect the mesh.



INSTALLATION OPTIONS

In-jamb mount
Surface mount



Specifications

Phantom's door screens are custom made and professionally installed for all door types. Maximum height and width are detailed in the chart below.

	WIDTH	HEIGHT
SINGLE UNIT	Max 48"	Up to 100"
	Max 36"	Up to 120"
DOUBLE UNIT	Max 96"	Up to 100"
	Max 72"	Up to 120"

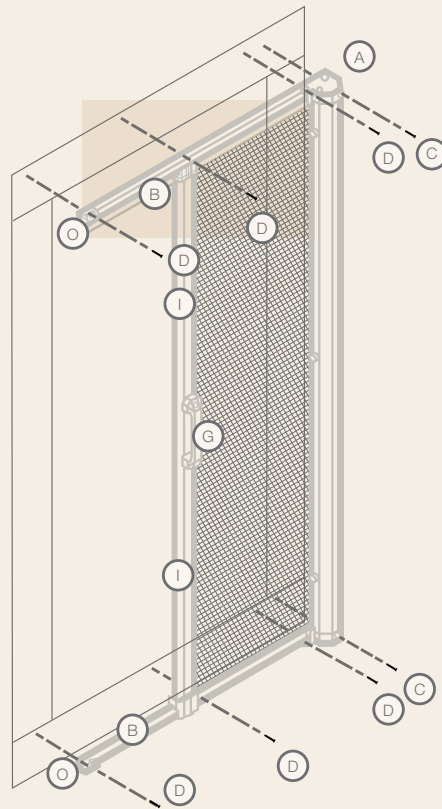
SURFACE MOUNT

DOOR SCREEN DESIGN SPECIFICATIONS

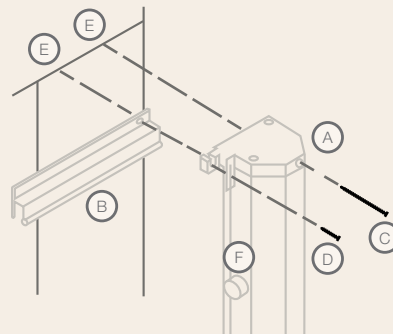
(external assembled view)

PARTS SPECS

- A Aluminum housing complete with nylon end caps 1-7/8"W x 2-49/64"D
- B Aluminum track
- C #8 x 2-1/2" flathead screw
- D #6 x 3/4" panhead screw
- E Screws position on mounting surface
- F Bumpons - 1/2" Ø x 1/4"H
- G Outside nylon Latch and Release handle
- H Inside nylon Latch and Release handle
- I Aluminum slidebar
- J #6 x 5/8" panhead TEK screw
- K Chrome plated zinc lever components
- L # 6/32 x 1-5/8" S.S. bolt
- M # 6/32 locknut S.S.
- N Handle screw caps (2 per handle)
- O Track catch
- P Outside Nylon Handle
- Q Inside Nylon Handle
- R Corrosion resistant steel magnet strike plate
- S #6 x 3/4" #5 flathead screw
- T Nylon magnet housing



Detail of track position in relation to the housing and housing end cap
Head view

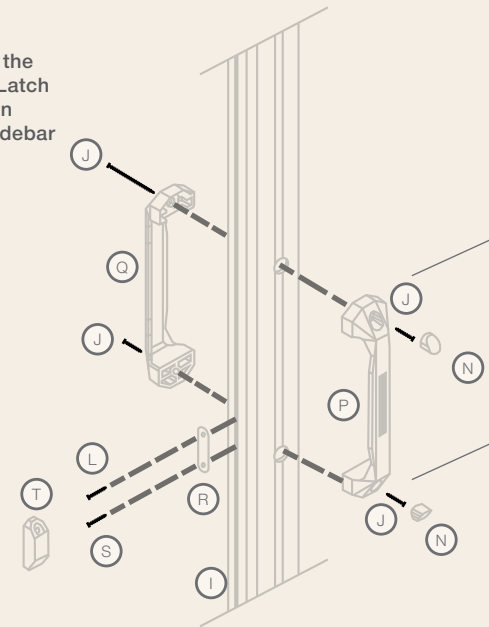


FOR ILLUSTRATIVE PURPOSES ONLY
NOT DRAWN TO SCALE

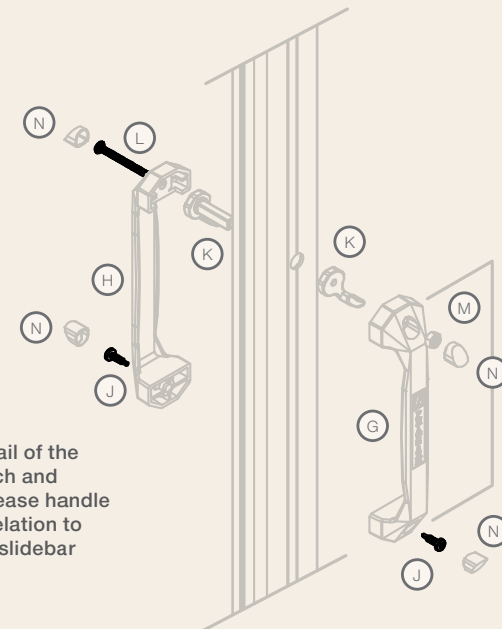
All components are color matched except mesh.*

* does not include wood grain - components are solid color

Detail of the Magnet Latch in relation to the slidebar



Detail of the Latch and Release handle in relation to the slidebar







for OUTDOOR SPACES

Imagine being able to move seamlessly between indoor and outdoor spaces – without the intense glare of the sun or pesky bugs. You can, thanks to Phantom's retractable screens for outdoor spaces. Motorized screens appear at the touch of a button and disappear when you don't need them. Perfect for patios, porches, lanais, decks or outdoor kitchens, these custom made and professionally installed screens give you fresh air, shade from the sun, climate control, protection from insects or a bit of privacy.

Phantom Motorized Screen

*Motorized retractable screen
for outdoor spaces*

FEATURES & BENEFITS

- Keeps the bugs out
- Allows fresh air ventilation
- Expands your living space
- Maintains your view to the outdoors
- Lowers air conditioning costs
- Provides climate control
- Motorized screen – retracts vertically
- Optional sun and wind sensors
- In-wall or hand-held remote controls
- Various mesh, fabric & vinyl options
- Wood grain & custom color options



Applications

Phantom's motorized screens are custom made and professionally installed to fit a wide variety of outdoor spaces.

ADDITIONAL APPLICATIONS

Large picture windows

Verandas/Lanais

Outdoor kitchens

Lift and slide door systems

Loggias

OTHER AVAILABLE PRODUCT FOR OUTDOOR SPACES

For high traffic areas that require timely in and out access, see our Phantom Oversized Door Screens.

Patios



Folding & sliding glass walls



Porches



Balconies



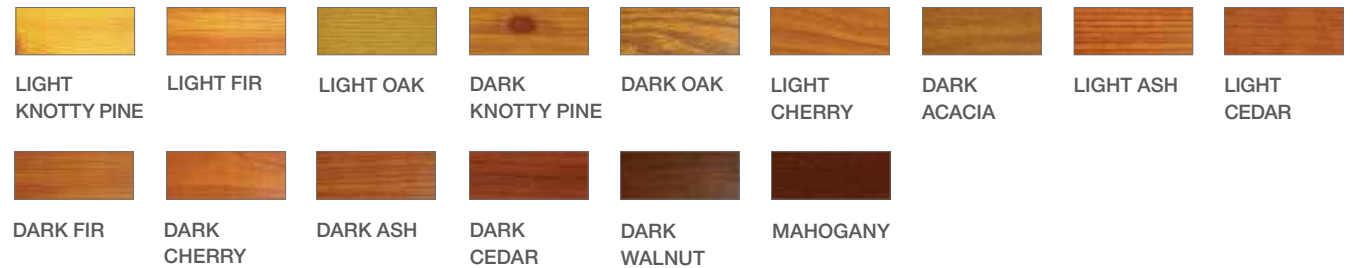
Customization

COLOR OPTIONS

Standard Colors



Wood Grain



Custom Color

Phantom Screens also offers a custom color matching program to blend our screens with any color scheme.

* Please note that the appearance of the colors illustrated will differ from the actual coated samples or finished articles.

MESH & FABRIC OPTIONS

All mesh and fabric options seal out insects, reduce heat and glare, as well as prevent fading of furnishing.



VINYL OPTIONS

Clear vinyl enables you to control the temperature in your outdoor living space. Available in five perimeter colors.



ARCHITECTURAL INTEGRATION

Customized to each building project, Phantom's motorized screens merge perfectly with the décor to maintain the integrity of your design. These retractable screens can be recessed from view or mounted on existing structures. Motorized screens can be integrated into every type of architectural style including wood, brick, stucco, natural stone and concrete.

Recessed in Roman archways



Recessed in columns



Natural stone and wood



Stucco, brick and concrete



Dual roller application combines clear vinyl units with standard insect or solar mesh units for maximum comfort.



Controls and Automation

Phantom Screens has partnered with Somfy® to provide a wide range of remote controls and sensors for Phantom's motorized screens.



Some of Phantom's motorized screens come with Somfy's Maestria™ 50 RTS motor. This offers smart functions such as obstacle detection and automatic adjustment which protect carrier products, prevent fabric damage and assure perfect tension.

In addition, Phantom's motorized screens can be integrated into most home automation systems including Lutron®, Crestron® and smartphone devices.

Hand-held Remotes

All Somfy's Telis and Situo hand-held remotes feature Radio Technology Somfy® (RTS) providing push button control. The Telis and Situo RTS collections are available in single or multiple channel versions. Each channel can be used to operate one screen or a group of screens at the same time from one remote control.



TELIS AND SITUO HAND-HELD REMOTES

Wireless Switches

Somfy's DecoFlex WireFree™ switches are completely wireless, battery powered and available in three colors – white, ivory, and black.



WHITE

Sun and Wind Sensors



ONDEIS™ WIRE FREE RTS SENSOR

A wireless sun & rain sensor, powered with an integrated solar cell, that can automatically adjust motorized screens based on the sun's intensity or the damaging rain.



EOLIS RTS SENSOR

A wind sensor that can be used to automatically retract your screens into their protective housings in stormy conditions.



SOLIRIS RTS SENSOR

A combined sun and wind sensor that automatically adjusts motorized screens depending on sun and wind intensity.



Specifications

Phantom's motorized screens are custom fit and professionally installed for single openings as large as 40 feet wide by 16 feet tall. Maximum height and width are detailed in the chart below.

	WIDTH	HEIGHT
2 1/2" ROLLER	26" to 120"	Max 96"
4" ROLLER	34 3/4" to 240"	Max 132"
5" ROLLER	34 3/4" to 300"	Max 192"

NOTE: For clear vinyl sizing, contact your Phantom Screens Representative.

FOR ILLUSTRATIVE PURPOSES ONLY
NOT DRAWN TO SCALE

All components are color matched except mesh and bottom seal.*

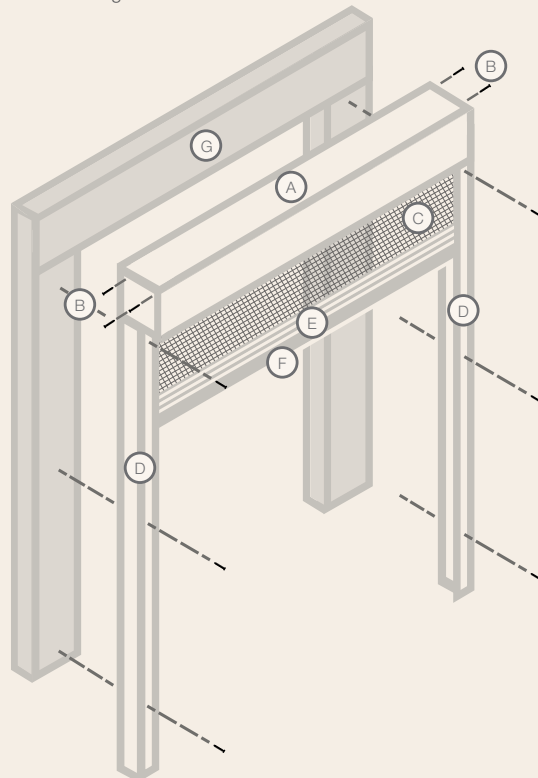
*does not include wood grain - components are solid color

SURFACE MOUNT

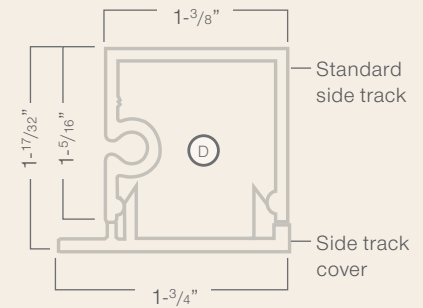
MOTORIZED WALL SCREEN DESIGN SPECIFICATIONS SYSTEM WITH STANDARD SIDE TRACK (external assembled view)

PARTS SPECS

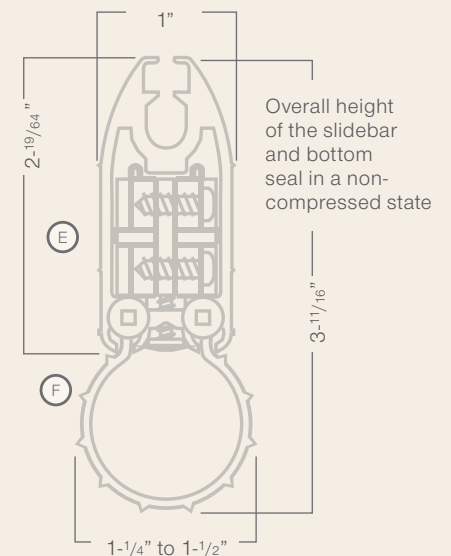
- A Housing assembly (5-1/2" W x 5-1/2" H or 7-1/8" W x 7-1/8" H)
- B 8 x 1" corrosion resistant fastener (color matched) 3 fasteners per end cap
- C PVC coated fiberglass mesh or other (see mesh specifications)
- D Standard side track complete with cover (1-3/4" W x 1-17/32" D)
- E Slidebar complete with probe assembly
- F Bottom seal - 4" shown (other options available)
- G Mounting surfaces



Cross sectional view of the standard side track



Cross sectional view of the standard slidebar and 4" bottom seal

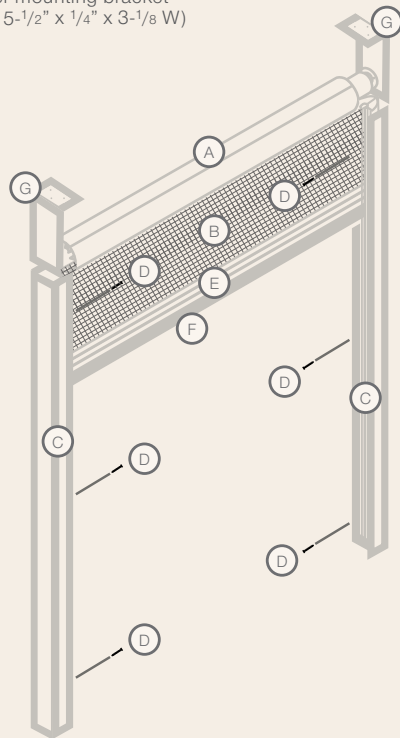


RECESSED MOUNT

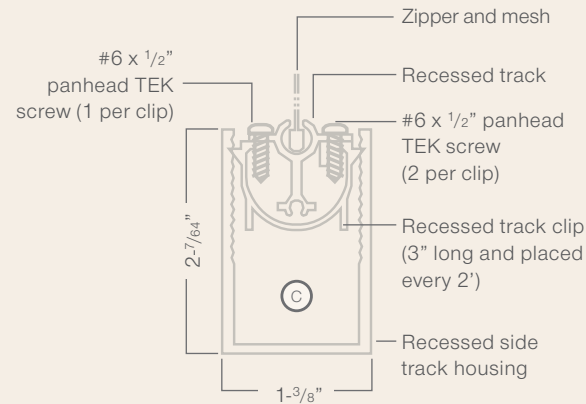
MOTORIZED WALL SCREEN DESIGN SPECIFICATIONS SYSTEM WITH RECESSED SIDE TRACK (external assembled view)

PARTS SPECS

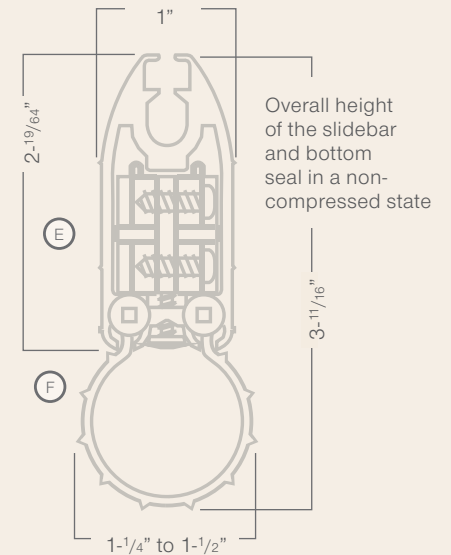
- A Roller assembly (4" or 5") complete with inserts (left and right)
- B PVC coated fiberglass mesh or other (see mesh specifications)
- C Recessed side track assembly (1-3/8" W x 2-7/64" D)
- D #8 or #10 corrosion resistant fastener. Type and length of screws may vary depending on type of mounting surface (minimum of 3 per side track and roller mounting angle)
- E Slidebar complete with probe assembly
- F Bottom seal - 4" shown (other options available)
- G Roller mounting bracket (2" x 5-1/2" x 1/4" x 3-1/8" W)



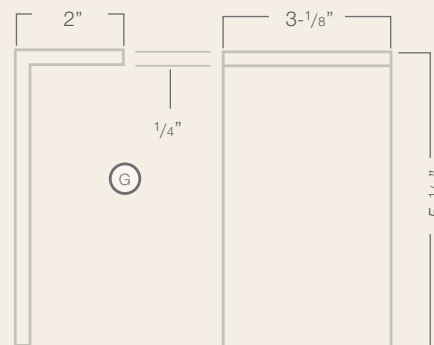
Cross sectional view of the fully assembled recessed side track



Cross sectional view of the sidebar and 4" bottom seal



Roller mounting angle for 4" and 5" rollers



Wider, stronger, bigger than ever

Thanks to special technology introduced by the Phantom Screens team, our motorized screens can now cover far beyond the industry standard of 25 feet wide without any bowing in the roller, or sagging in the mesh. Because of unique carriers which we install into the housing of the unit, the product is now able to extend a ground breaking 40 feet!









for MULTI-PANEL DOOR SYSTEMS

There's nothing like being able to leave your multi-panel door system wide open to enjoy the breeze without letting the bugs in. Phantom's retractable screens for oversized door systems disappear out of sight when not in use, never compromising your home's style or million dollar view!

Phantom Oversized Door Screen

*Manual retractable screen
for oversized door systems*

FEATURES & BENEFITS

- Keeps the bugs out
- Easy in and out access
- Protection from the sun & UV rays
- Retracts horizontally
- Customizable stopping points
along track
- Mesh completely secured in track
- Built in lubricant
- Easy operation with secure closure
- Thumb latch closure system
- Various mesh & color options



Applications

Phantom's oversized door screens are custom made and professionally installed to fit a wide variety of multi-panel door systems.

ADDITIONAL APPLICATIONS

Lift and slide doors

French doors

Folding glass walls



Sliding glass walls



Stacking door systems



OTHER AVAILABLE PRODUCTS FOR MULTI-PANEL SYSTEMS

For screens that can appear at the touch of a button or smart phone app, see our **Phantom Motorized Screens**.

Customization

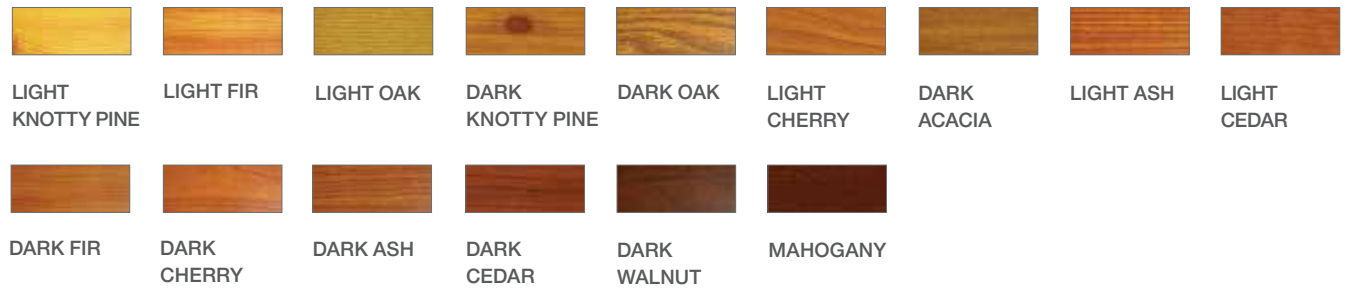
COLOR OPTIONS

Standard Colors

Choose from one of eleven standard colors, or decorative wood grain finishes.



Wood Grain



Custom Color

Phantom Screens also offers a custom color matching program to blend our screens with any color scheme.

* Please note that the appearance of the colors illustrated will differ from the actual coated samples or finished articles.

MESH & FABRIC OPTIONS

All mesh and fabric options seal insects out and provide some level of heat, glare and UV reduction.



INSECT
Reduces up to 55% of UV rays



SOLAR
Reduces up to 95% of UV rays

INSTALLATION OPTIONS

Surface mounted
Inside jamb mounted

Recessed bottom track
Various threshold adaptors to integrate with any type of doorway





Specifications

Phantom's oversized door screens are custom made and professionally installed for all openings. The maximum size for this screen is up to 15 feet wide and 12 feet high for a single unit and 30 feet wide and 12 feet high for a double unit.

	WIDTH	HEIGHT
SINGLE UNIT	Max 180"	Max 144"
DOUBLE UNIT	Max 360"	Max 144"

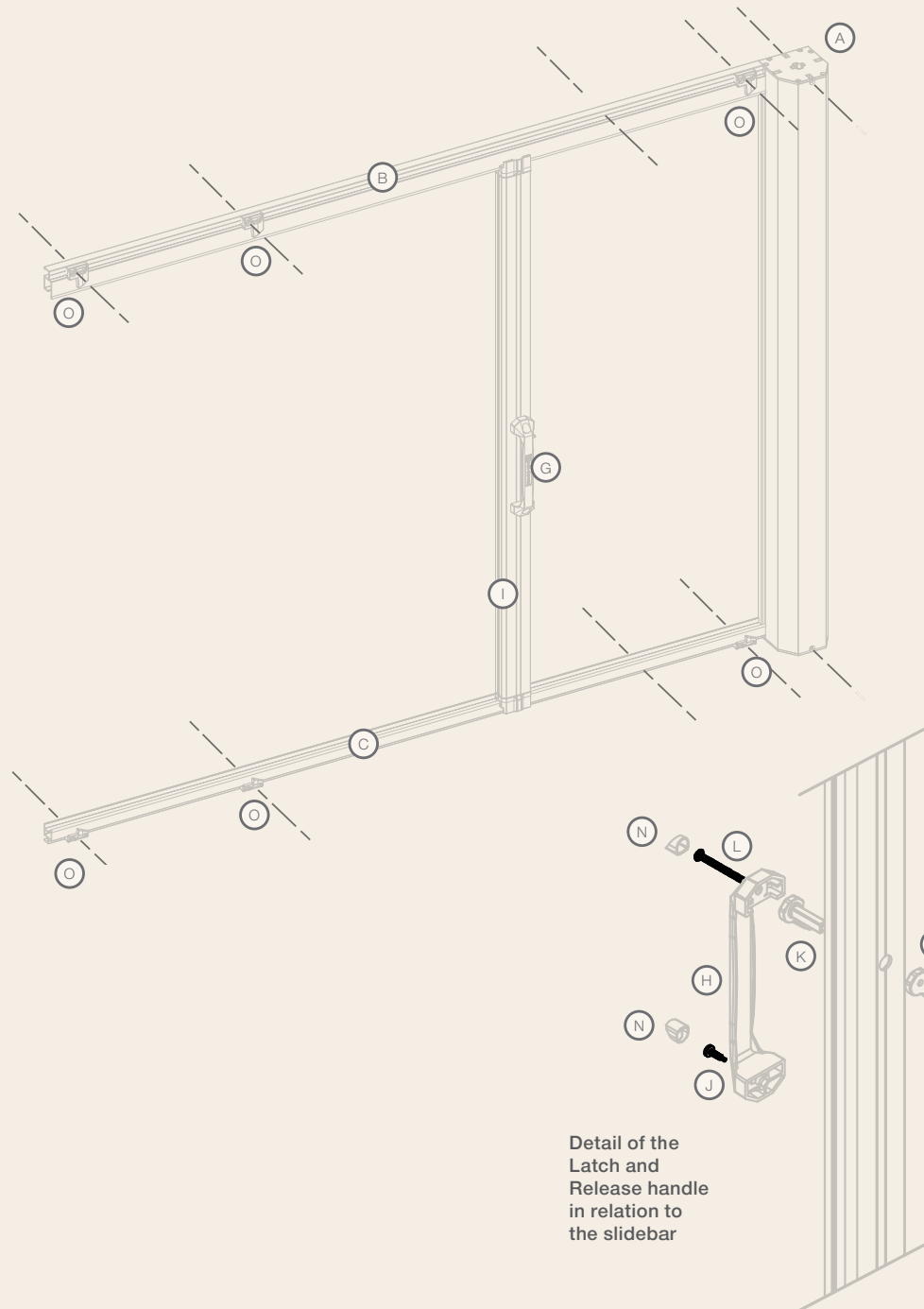
SURFACE MOUNT

MANUAL WALL SCREEN SPECIFICATION

(external assembled view)

PARTS SPECS

- A Aluminum housing complete with nylon end caps 3-3/16"W x 3-3/16"D
- B Adjustable top track assembly
- C Bottom track assembly
- D Track mounting screws #8 1" panhead TEK screw or #8 1.5" panhead
- E #8 x 4" flathead screw
- F #6 x 3/4" panhead screw
- G Outside nylon Latch and Release handle
- H Inside nylon Latch and Release handle
- I Aluminum slidebar
- J #6 x 5/8" panhead TEK screw
- K Chrome plated zinc lever components
- L # 6/32 x 1-5/8" S.S. bolt
- M # 6/32 locknut S.S.
- N Handle screw caps (2 per handle)
- O Track catch



FOR ILLUSTRATIVE PURPOSES ONLY
NOT DRAWN TO SCALE

All components are color
matched except mesh and housing end caps.*

* does not include wood grain -
components are solid color





for WINDOWS

The trouble with traditional fixed window screens is that they're always there – compromising your view, making window cleaning difficult and detracting from the aesthetics of your home. With Phantom's retractable window screens you can enjoy insect-free ventilation and your view. They're available for all types and sizes of windows – even custom wood windows – and can be used for insect protection or solar shading. So when your home is basking in sunshine you can open your windows and welcome the breeze!

Phantom Window Screen

*Retractable window screen
for all window types*

FEATURES & BENEFITS

- Keep the bugs out
- Maintains your view to the outdoors
- Blends into your home décor
- Protects against UV rays
- Retracts vertically
- Built-in latch
- Mesh retention system
- Easy grasping handle
- Various mesh options
- Wood grain, custom color options



Applications

Phantom's window screens are custom made and professionally installed to fit all window types.

ADDITIONAL APPLICATIONS

Sliding
Tilt and turn

Single-hung



Double-hung



Casement



Awning



OTHER AVAILABLE PRODUCTS FOR WINDOWS

For homes with natural wood windows, see our **Phantom Wood Window Screens**, or for screens that can appear at the touch of a button or smart phone app, see our **Phantom Motorized Screens**.

Customization

COLOR OPTIONS

Standard Colors

Choose from one of eight standard colors or decorative wood grain finishes.



CLASSIC WHITE CALICO LINEN SLIVERED ALMOND SANDAL WOOD DRIFTWOOD BEIGE RIDEAU BROWN COASTAL GREY PHANTOM BLACK

Wood Grain



LIGHT KNOTTY PINE LIGHT FIR LIGHT OAK DARK KNOTTY PINE DARK OAK LIGHT CHERRY DARK ACACIA LIGHT ASH LIGHT CEDAR



DARK FIR DARK CHERRY DARK ASH DARK CEDAR DARK WALNUT MAHOGANY

Custom Color

Phantom Screens also offers a custom color matching program to blend our screens with any color scheme.

* Please note that the appearance of the colors illustrated will differ from the actual coated samples or finished articles.

MESH & FABRIC OPTIONS

All mesh and fabric options seal out insects, reduce heat glare as well as prevent fading of furnishings.



INSECT
Reduces up to 55% of UV rays



SOLAR
Reduces up to 95% of UV rays



PRIVACY
Reduces up to 100% of UV rays

Specifications

Phantom's window screens are custom made and professionally installed for virtually any window application. Maximum height and width are detailed in the chart below.

	WIDTH	HEIGHT
SINGLE	13 1/2" to 84"	Max 90"

NOTE: Width/Height ratio limitations may apply. Your Phantom Screens Representative will confirm suitability based on site dimensions.

FOR ILLUSTRATIVE PURPOSES ONLY
NOT DRAWN TO SCALE

All components are color matched except mesh.*

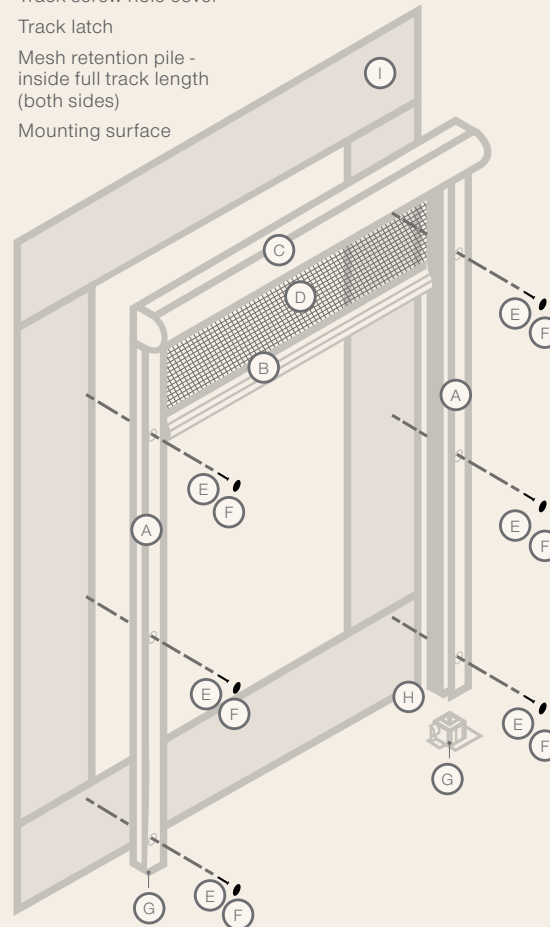
* does not include wood grain - components are solid color

SURFACE MOUNT

WINDOW SCREEN DESIGN SPECIFICATIONS (external assembled view)

PARTS SPECS

- A** Aluminum track
Standard version - $57/64$ " W x $1-3/8$ " H
Narrow version - $57/64$ " W x $29/32$ " H
- B** Aluminum slidebar $3/32$ " W x $1-13/32$ " H
- C** Aluminum housing assembly $2-19/64$ " W x $2-7/64$ " H
- D** PVC coated fiberglass mesh
- E** Flathead screw #6 x $3/4$ " (#5 head) - depending on mounting surface
- F** Track screw hole cover
- G** Track latch
- H** Mesh retention pile - inside full track length (both sides)
- I** Mounting surface

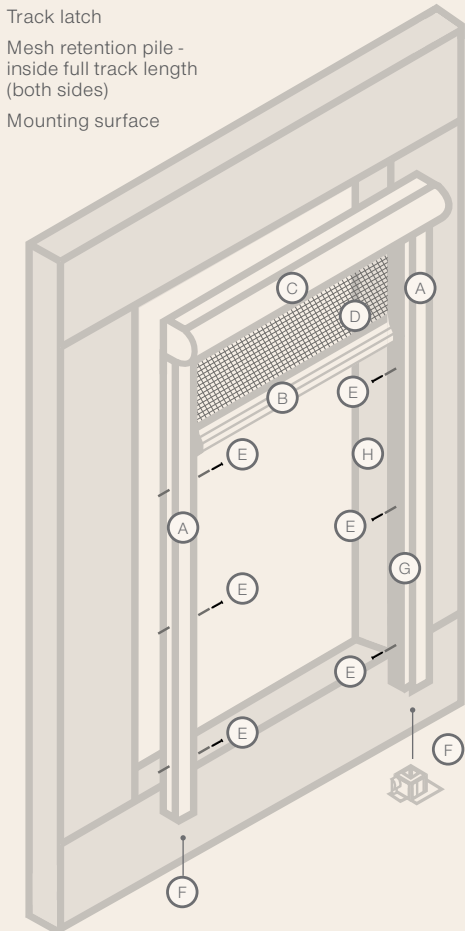


IN-JAMB MOUNT

WINDOW SCREEN DESIGN SPECIFICATIONS (external assembled view)

PARTS SPECS

- A** Aluminum track
Standard version - $57/64$ " W x $1-3/8$ " H
Narrow version - $57/64$ " W x $29/32$ " H
- B** Aluminum slidebar $3/32$ " W x $1-13/32$ " H
- C** Aluminum housing assembly $2-19/64$ " W x $2-7/64$ " H
- D** PVC coated fiberglass mesh
- E** Flathead screw #6 x $3/4$ " (#5 head) - depending on mounting surface
- F** Track latch
- G** Mesh retention pile - inside full track length (both sides)
- H** Mounting surface



Phantom Wood Window Screen

Veneered retractable window screen for custom wood windows

FEATURES & BENEFITS

- Keeps the bugs out
- Maintains your view to the outdoors
- Protects your indoor fabrics
- Retracts vertically
- Wide range of veneered wood finishes
- Built-in latch
- Mesh retention system
- Ergonomically designed handle
- Optional removable tracks
- Completely stainable



Applications

Phantom's wood window screens are custom made and professionally installed to fit all custom wood window types.

ADDITIONAL APPLICATIONS

- Single-hung
- Double-hung
- Sliding
- Awning

OTHER AVAILABLE PRODUCTS FOR WOOD WINDOWS

For homes that do not require natural wood window screens, see our **Phantom Window Screens**, or for screens that can app he touch of a button or smart phone app, see our **Phantom Motorized Screens**.

Casement



Customization

COLOR OPTIONS

Wood Veneer

Choose from one of seven wood veneer options.



PINE



MAHOGANY



RED OAK



WALNUT



CHERRY



FIR



ALDER

Completely Stainable

Phantom's wood window screens can be stained to match any wood grain finish, thereby allowing them to blend perfectly with your custom wood windows.

* Please note that the appearance of the colors illustrated will differ from the actual coated samples or finished articles.

MESH & FABRIC OPTIONS

Phantom's wood window screens feature BetterVue® mesh which delivers insect protection with excellent visibility, making your view distinct and more vibrant.



INSECT

Reduces up to 36% of UV rays

INSTALLATION OPTIONS

In-jamb mount

Specifications

Phantom's wood window screens are custom made and professionally installed for any wood window application. Maximum height and width are detailed in the chart below.

	WIDTH	HEIGHT
SINGLE	18" to 72"	Max 78"

FOR ILLUSTRATIVE PURPOSES ONLY
NOT DRAWN TO SCALE

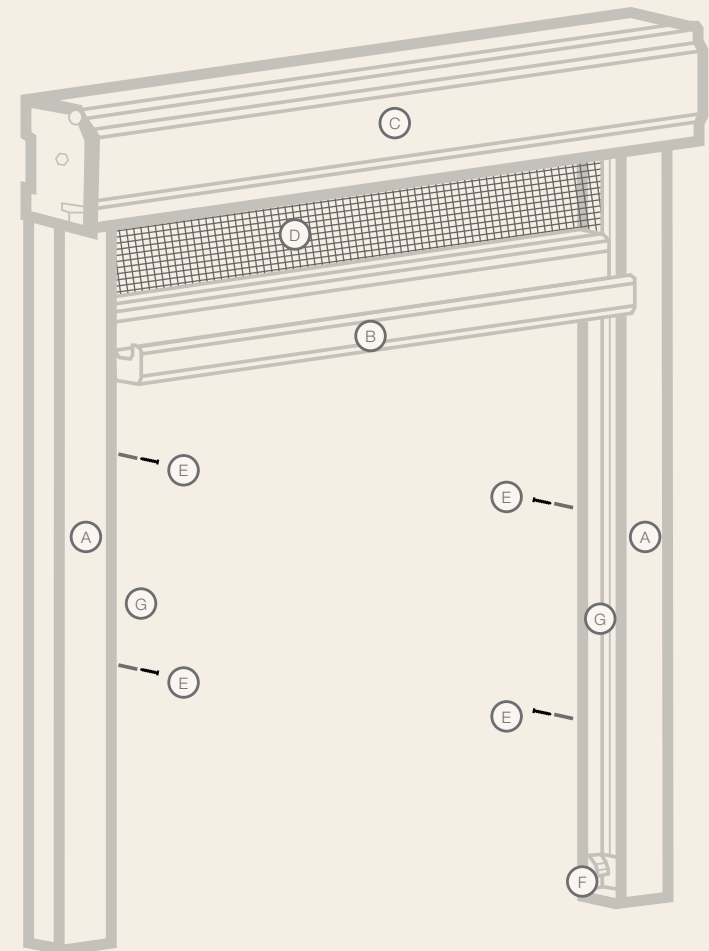
IN-JAMB MOUNT ONLY

WOOD WINDOW SCREEN DESIGN SPECIFICATIONS

(external assembled view)

PARTS SPECS

- A** Veneered aluminum track
Fixed - $\frac{7}{8}$ "W x $1\text{-}\frac{11}{32}$ "H
Removable - $\frac{7}{8}$ "w x $1\text{-}\frac{11}{3}$ "H
- B** Wooden slidebar
 $1\text{-}\frac{1}{2}$ "W x $1\text{-}\frac{13}{32}$ "H
- C** Veneered aluminum housing assembly
 $1\text{-}\frac{29}{32}$ "W x $2\text{-}\frac{1}{4}$ "H
- D** PVC coated fiberglass mesh
- E** Flathead screw #6 x $\frac{3}{4}$ " (#5 head) - depending on mounting surface
- F** Track latch
- G** Mesh retention pile - inside full track length (both sides)





*There when you need us,
enhancing your lifestyle,
making us your choice for
retractable screen solutions...
experience Phantom.*





**CONTACT YOUR PHANTOM SCREENS
REPRESENTATIVE AT 1-888-PHANTOM**



CORPORATE OFFICE

TF: 1-888-444-4142

Tel: 604-855-3654

phantom@phantomscreens.com

phantomscreens.com

USA MAIL

P.O. Box 1907

Sumas, WA

98295-1907 USA

CANADA MAIL

P.O. Box 2310

Abbotsford, BC

V2T 4X2 Canada