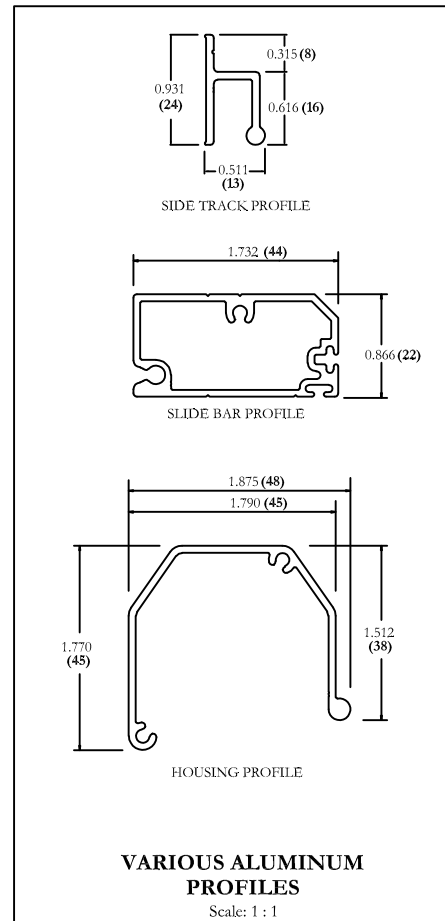
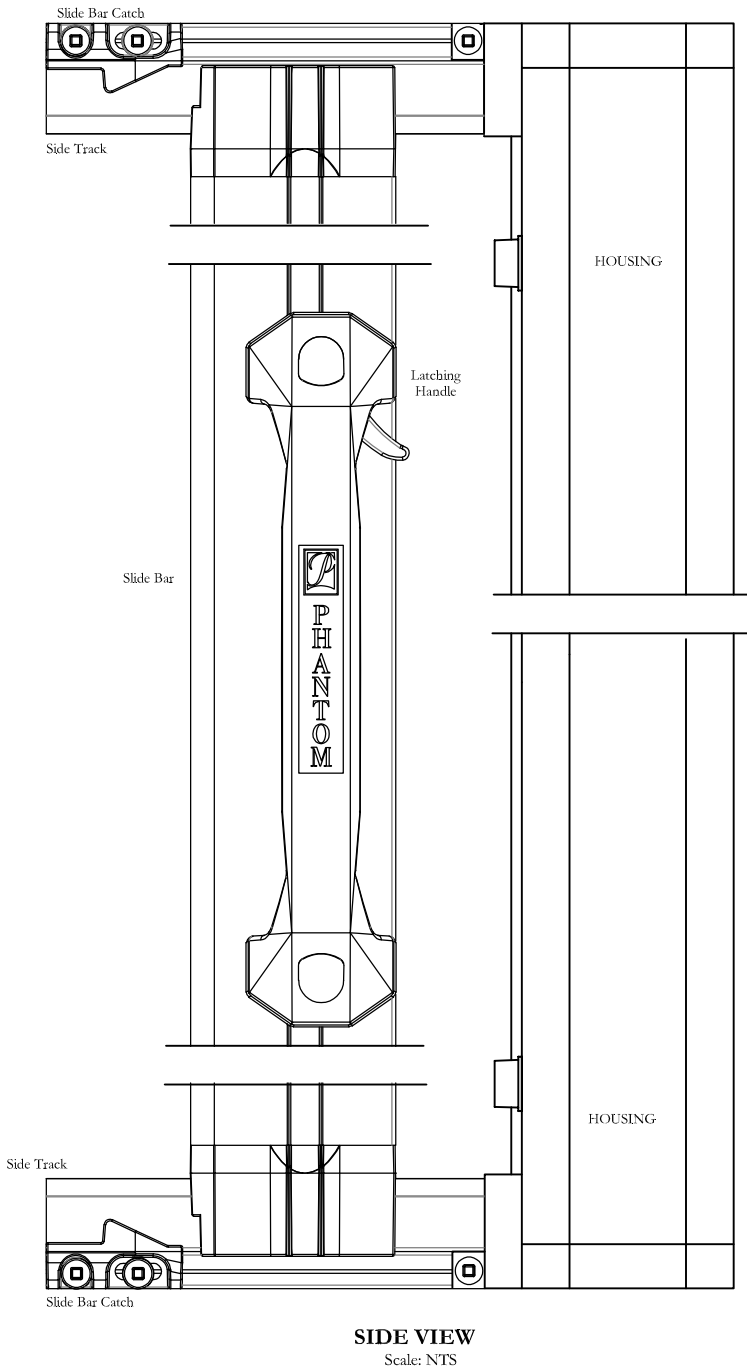
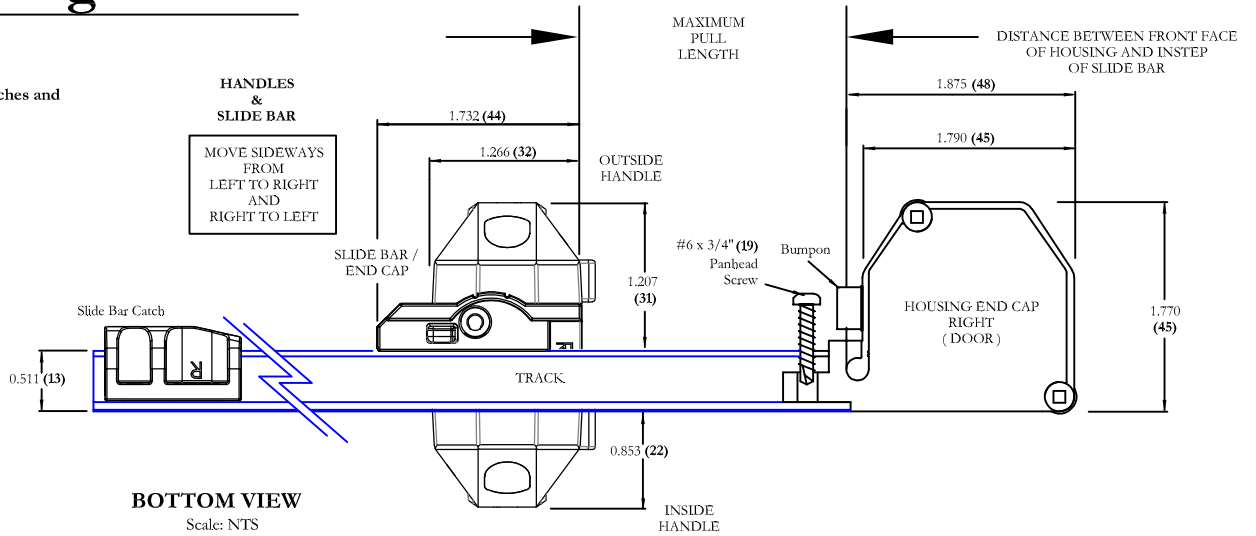


# Retractable Door Design Specifications

## c/w Latching Handle

### Detail Views

All Dimensions Are Shown In Inches and Millimeters In Brackets



1. Revised Title		02/27/18
Description of Revision		
Creator: NDR	Date: 01/24/12	Revision: Rev: 01
Drawing Title: <b>PSLEGACYPRODDDESIGNSPEC02</b>		
© 2012 Phantom Mfg. Intl Ltd.		Scale: As Shown