

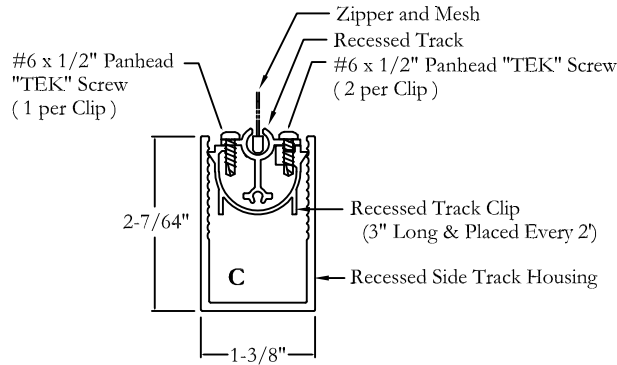
Motorized Retractable Wall Screen

Design Specifications-

System With Recessed Side Track

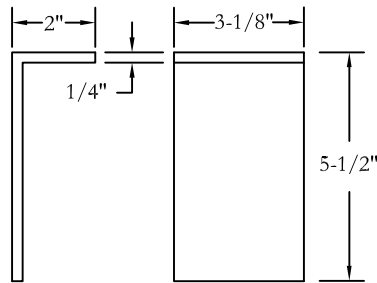
(External Assembled View)

FOR ILLUSTRATION PURPOSES ONLY - ONLY CROSS SECTIONS DRAWN TO SCALE



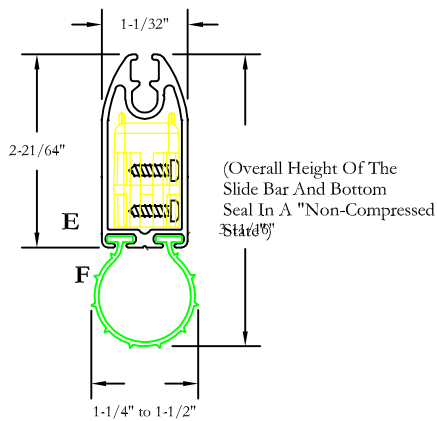
CROSS SECTIONAL VIEW OF THE FULLY ASSEMBLED RECESSED SIDE TRACK (V3)

(Scale: 1 : 1)



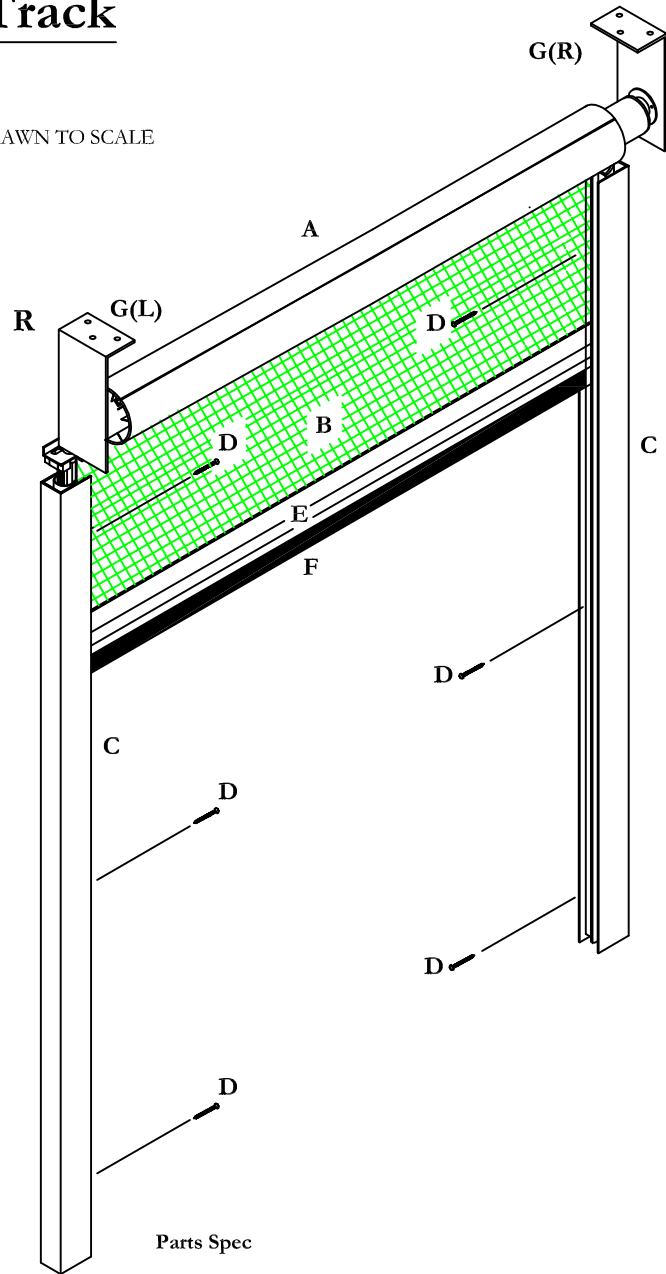
ROLLER MOUNTING ANGLE FOR 4" and 5" ROLLERS

(Not Drawn To Scale)



CROSS SECTIONAL VIEW OF THE SLIDE BAR AND 4" BOTTOM SEAL

Scale: 1 : 1



Parts Spec

- A Roller Assembly (4" or 5") c/w Inserts (L & R)
- B PVC Coated Fiberglass Mesh or other - see Mesh Specifications
- C Recessed Side Track Assembly (1-3/8"W x 2-7/64"D)
- D #8 or #10 Corrosion Resistant Fastener
Type and length of screws may vary depending on type of mounting surface (Minimum of 3 per Side Track and Roller Mounting Angle)
- E Slide Bar c/w Probe Assembly
- F Bottom Seal - 4" Shown (Other options available)
- G Roller Mounting Bracket (2" x 5-1/2" x 1/4" x 3-1/8" W)

3	Title change	N.D.R.	03/06/18
2	Modify the position of the U-Channel in relation to the Mounting Bracket	N.D.R.	01/27/16
1	Change Slide Bar and Probe to Universal Version	N.D.R.	

Rev # Description of Revision Approved by Rev Date

Creator:	Date:	Approved by/date:
NDR	06/17/2013	
Drawing Title:		
PSEXECPRODDESIGNSPEC07(A)		
© 2013 Phantom Mfg. Intl Ltd.		Scale: As Shown

All components are color matched except Mesh, Rivets, and Bottom Seal.